



# BUSINESS BROCHURE

CREATION, INNOVATION AND REFINEMENT





THE SERVICE IS  
CONSTANTLY INNOVATING

UNLIMITED SERVICE INNOVATION  
OPEN UP THE FUTURE THROUGH COOPERATION

THE COOPERATION IS  
EARNING FUTURE

---

## TABLE OF CONTENTS

### 1 ENTERPRISE CHAPTER

*Enterprise chapter*

- COMPANY INTRODUCTION -----01-02
- COMPANY HISTORY-----03-04
- COMPANY MANAGEMENT SYSTEM---05-06
- GLOBAL MARKETING NETWORK-----07-08
- PRODUCTION CAPACITY----- 09-10

### 2 PRUDUCTION SECTION

*Production chapter*

- INJECTIONMOLDINGCENTER-----11-12
- DOME TYPE FIBER OPTIC SPLICE CLOSURE---  
-----13-35
- FIBER OPTIC SPLICE TRAY-----36
- IN-LINE TYPE FIBER OPTIC SPLICE  
CLOSURE-----37-42
- METAL PLATE CENTER-----43-44
- METAL PRODUCT-----45-52
- HEAT SHRINKABLE PRODUCT CENTER-53-54
- HEAT SHRINKABLE JOINT CLOSURE----55-57
- HEAT SHRINKABLE TUBE-----58
- MOLDING CENTER -----59-60
- EXPERIMENTAL CENTER -----61-62
- COOPERATION WITH US----- 63-64

# ENTERPRISE

- INTRODUCTION
- COMPANY HISTORY
- GLOBAL MARKETING NETWORK
- PRODUCTION CAPACITY

# THE INTRODUCTION OF OUR GROUP

## *enterprise introduction*

Chengdu Qianhong Communication Co., Ltd. is located in Xindu District, Chengdu City, is founded in 1995. Under the strong support of the local government, after nearly 30 years of continuous development, Chengdu Qianhong Communication Co., Ltd. stands out from the industry and has become the development model of contemporary China's communication equipment manufacturing industry and won the national high-tech innovation enterprise.

The company adopts the world's most advanced production equipment, specializing in the production and sales of all kinds of communication network engineering cabinets and optical fiber broadband series products, 3G,4G,5G base station supporting products, uphold the "innovation, creation, refinement" philosophy, product sales have been throughout many regions at home and abroad, into: The United States, Colombia, Brazil, Mexico, Jordan, Pakistan, Saudi Arabia, Italy, Turkey, the United Arab Emirates, Thailand and other more than 100 countries in the world, has established a good cooperative relationship, and achieved excellent results.

The company covers an area of 30,000 square meters, the existing staff of more than 300 people, all kinds of professional technical and management personnel more than 200 people, registered capital of 102 million yuan, the chairman Mr. Zhao Gang with its "detailed foresight and innovation ability" and "quality campaign" thought leading Chengdu Qianhong in the communications manufacturing industry with good reputation and quality service in the industry has a good reputation.

The company has advanced management system, each series of products have passed the ISO9001,TLS,SGS,SA8000 certification, SA8000 social responsibility standard certification, the use of international Meteor ERP (manufacturing resource planning system), 7S management system, to ensure that the cost of each product is reasonable, Stable quality and reliable performance.

In line with the service tenet of "serving customers wholeheartedly, ensuring customer satisfaction", we provide users with fast, convenient, efficient and professional technical support and after-sales service, which maximally removes the worries of operators.

In order to further enhance the company's corporate image, shape the industry brand, improve brand influence and competitiveness, the company designed a new trademark

Qianhong used the trademark before:  and 

Trade mark in use: 

# COMPANY HISTORY

After more than 28 years of market development and expansion, the sales area of Chengdu Qianhong has expanded from many domestic provinces to more than 100 overseas countries in 2023. It is this honor, let Qianhong not forget the original intention, remember the mission, and strive to become a high-end supplier and leader of global communications construction equipment.

## 2020

In 2020, obtained the national secret qualification "weapon equipment research and production unit third-level secret qualification certificate" national military standard quality management system certification



## 2014

More than 50 countries were using QIANHONG products in 2014

## 2015

In 2015, the company was recognized by China Telecom Group as the largest optical product manufacturer and FTTX solution provider in Western China.

## 2018

In 2018, it was awarded the Enterprise Technology Center of Sichuan Province and the Integrity Demonstration Enterprise of Sichuan Province.

## 2017

In 2017, it was awarded 100 patents for inventions, utility models and appearance products.

## 2019

In 2019, the terminal product was officially put into the market; The automation of the production system has been completed, and the upgrading has been completed.

## 2012

In 2012, 40 acre of modern standard plant was completed, located in Chengdu Xindu District Industrial Park. More than 30 million yuan was invested to purchase production equipment and testing instruments, and 10 plastic mold manufacturing workshops and production lines were added.

## 2010

In 2010, it won the third Prize of "Excellent Supplier" Innovation Practice activity of Sichuan Telecom, and the advanced unit of tax-paying scale enterprise and other honors

## 2007

In 2007, the cable joint box and heat shrinkable joint closure and other products have passed the product test and certification in Bulgaria, Malaysia, India, Italy, Brazil and other countries, and the bulk supply. In the same year, the company obtained the ISO9001 quality management system certification.



## 2006

In 2006, the company won the "Excellent Supplier Award" of Sichuan Telecom, and was honored as a trustworthy company in product quality.

## 2005

In 2005, the company invested in a new 20-acre standardized plant, from a single production of heat-shrinkable products to independent design and production of optical distribution products, and the company successfully held the 10th anniversary celebration.

## 1995

In 1995, the company was established, setting up functional departments of production, sales and service. Produced a series of products of heat shrinkable joint closure for communication cables, and achieved good sales performance in that year.



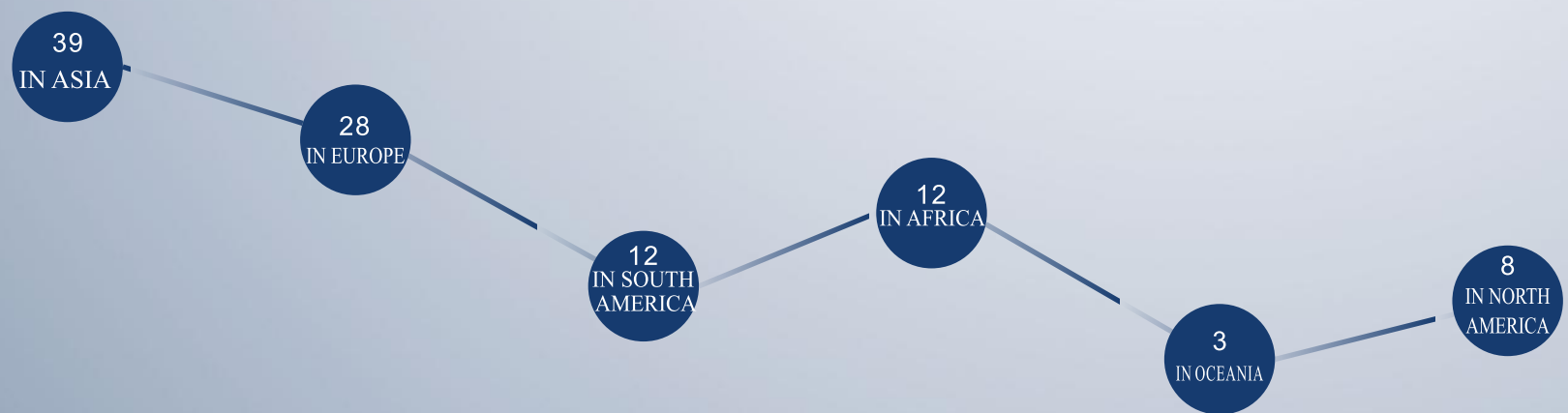
# COMPANY MANAGEMENT SYSTEM





GLOBAL MARKETING NETWORK

≥ 100 countries



*side by side, for dream*

# PRODUCTION CHAPTER

- PRODUCTION CAPACITY
- INJECTION MOLDING CENTER
- METAL PLATE CENTER
- HEAT SHRINKABLE PRODUCT CENTER
- MOLD CENTER
- EXPERIMENTAL CENTER

## PRODUCTION CAPACITY

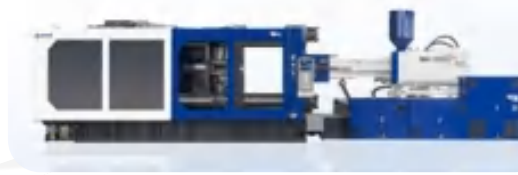
- Since the company was established, it has always built and renovated its production hardware facilities according to high starting point and high standard. The company covers an area of 30,000m<sup>2</sup> and has 300+ employees, of whom 14 are professional engineers with an average working experience of over 12 years.
- 24 metal cutting and punching machines, including a German TRUMPF Tru-laser3030 and a TRUMPF Tru-punch 5000
- 12 metal bending machines including one Italian SALVAGNINI(S2+P2)
- Electroplating/powder spraying center
- Mold design and production center
- 46 injection molding machines
- Productivity: plastic injection molding, sheet metal processing, equipment manufacturing, construction engineering, finishing and military

# 02 PRODUCTION SECTION

## INJECTION MOLDING CENTER

- 16~17 million pieces ANNUAL OUTPUT
- 60000+ pieces DAILY OUTPUT
- 0.5~0.8 mm THE MINIMUM THICKNESS OF THE PRODUCT CAN BE FORMED
- $\leq 0.08$  mm INJECTION MOLDING TOLERANCE
- 0.01g~10000g RANGE OF CAPABILITIES TO GENERATE PRODUCTS

HAITIAN 1000T INJECTION MOLDING MACHINE



HAIXIONG 688T INJECTION MOLDING MACHINE



HIGH PRECISION INJECTION MOLDING MACHINE



ROBOTIC ARM



CNC PLASTIC INJECTION MOLDING MACHINE



AUTOMATIC INJECTION MOLDING LINE



SEMI-AUTOMATIC INJECTION MOLDING LINE

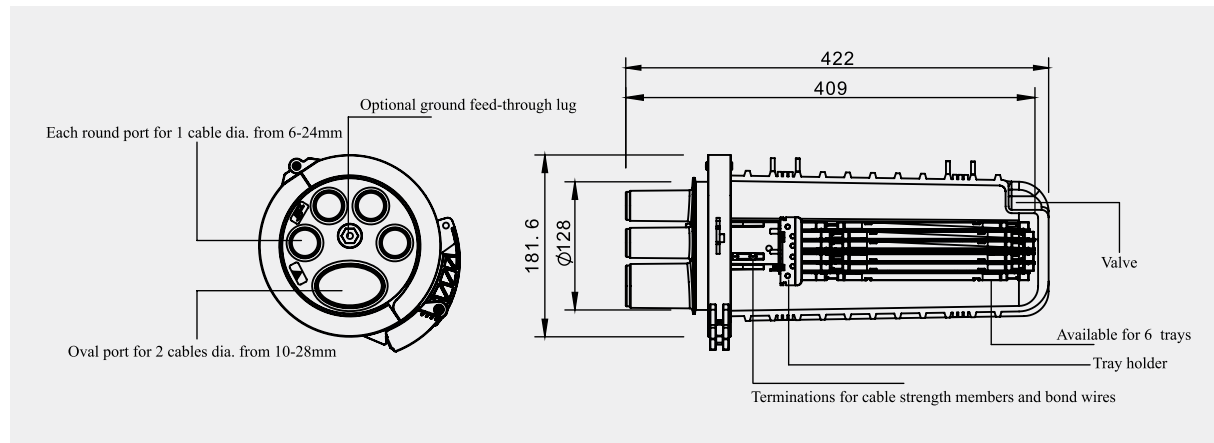






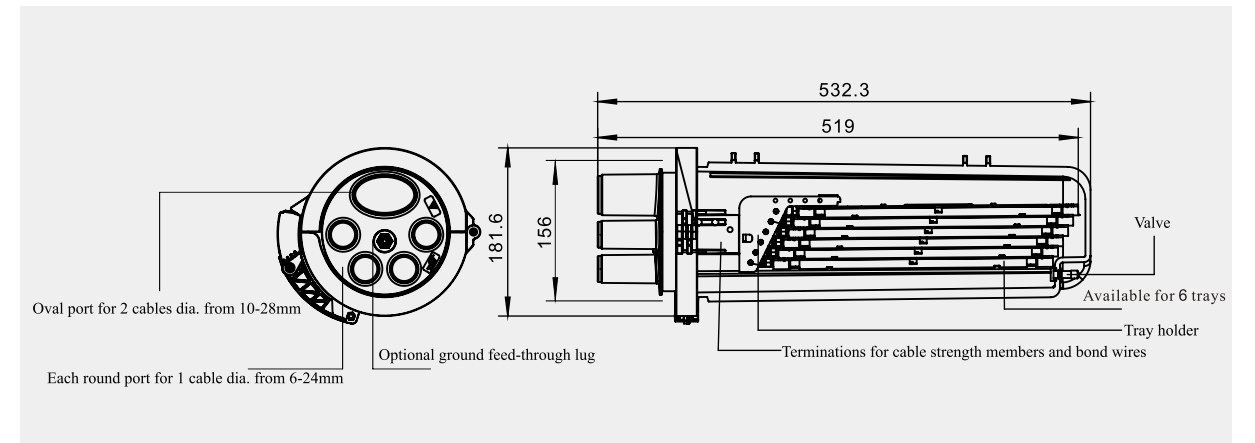
### Model

GJS03-M1AX-144C(GP200)



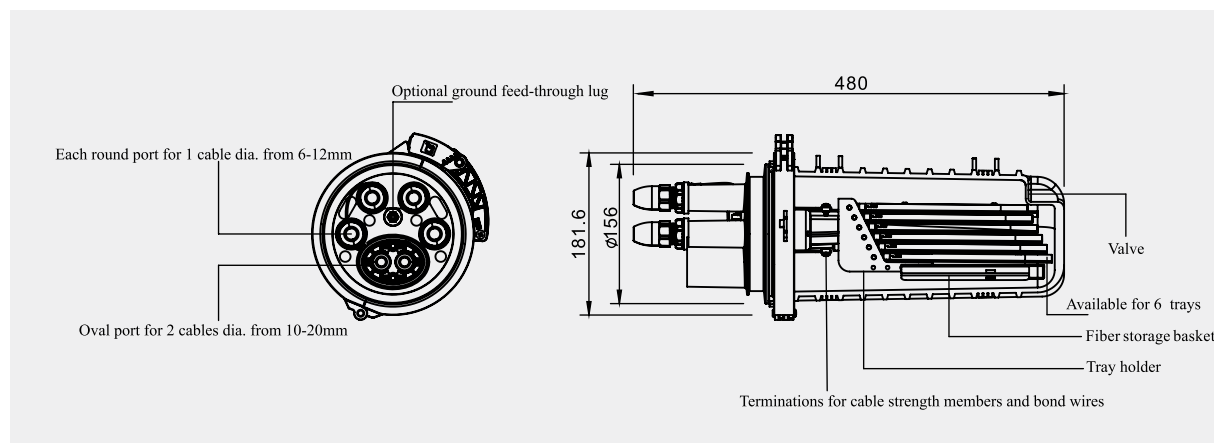
### Model

GJS03-M2AX-24~144C-SRZJ14(GP262)



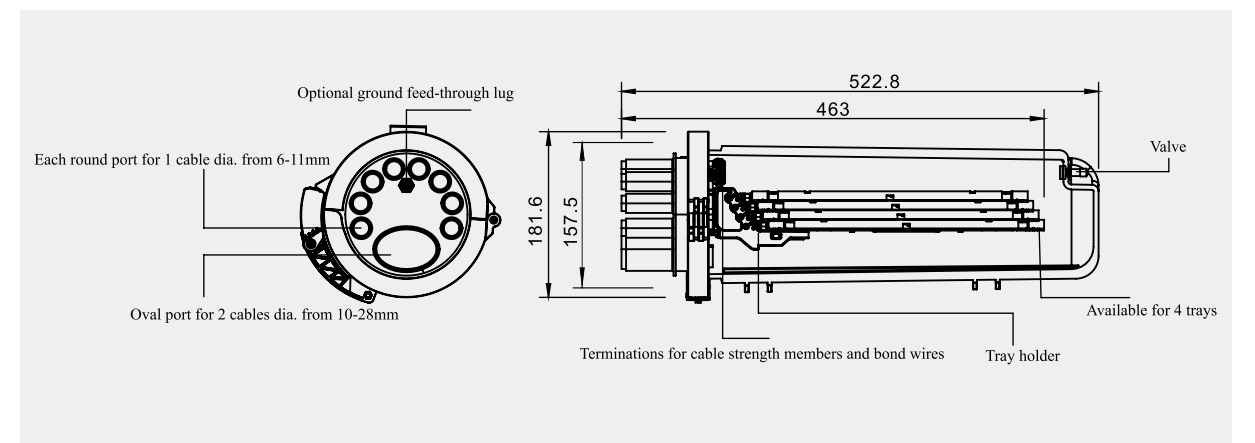
### Model

GJS03-M1AX-JX-144C(GP335)



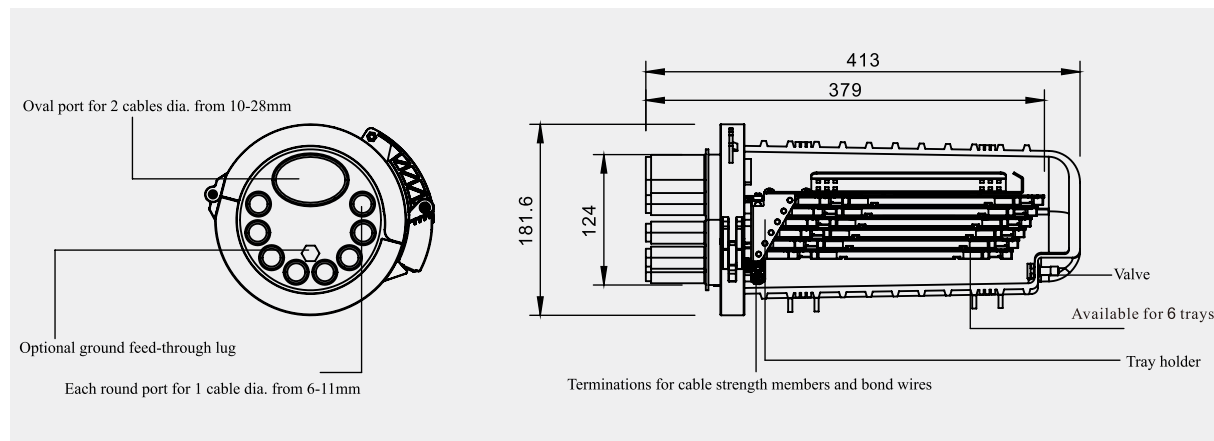
### Model

GJS03-M2AX-A8-24~96C(GP206)



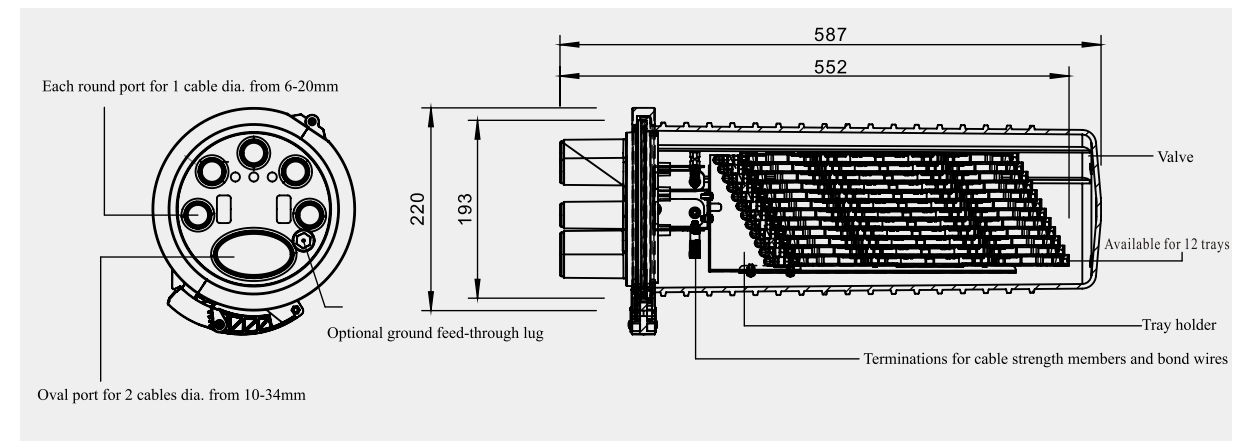
### Model

GJS03-M1AX-A8-144C-W30(GP1416)

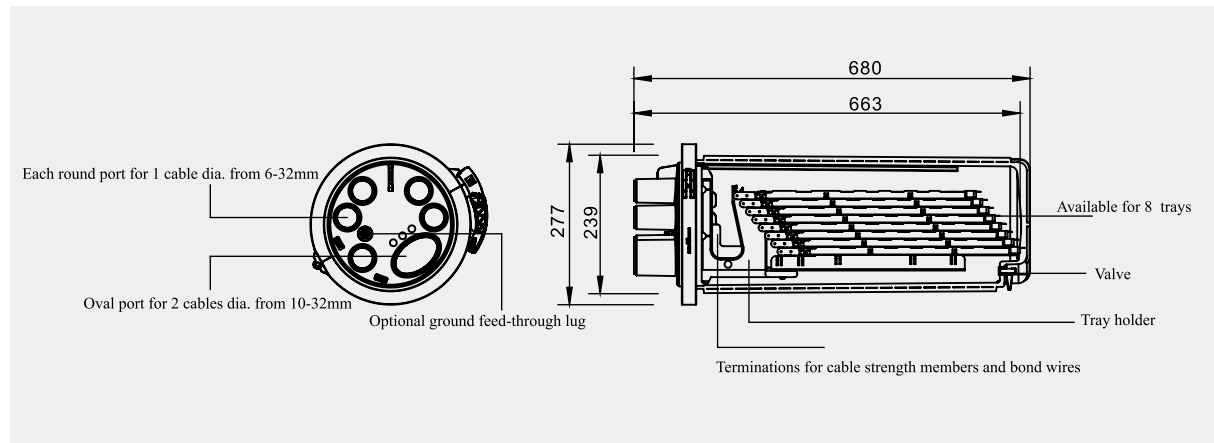


### Model

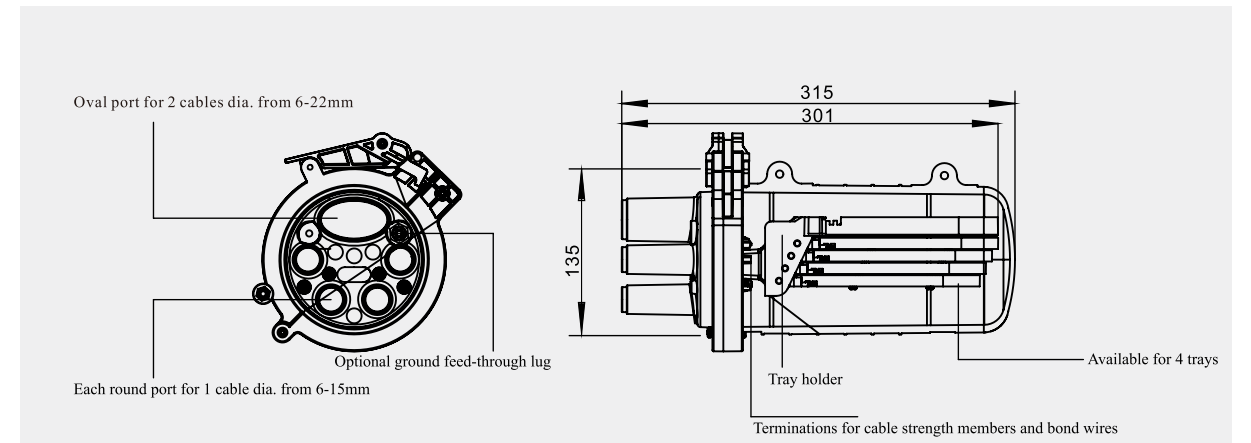
GJS03-M3AX-24~288C-TZJ07-III-N15 (GP286)



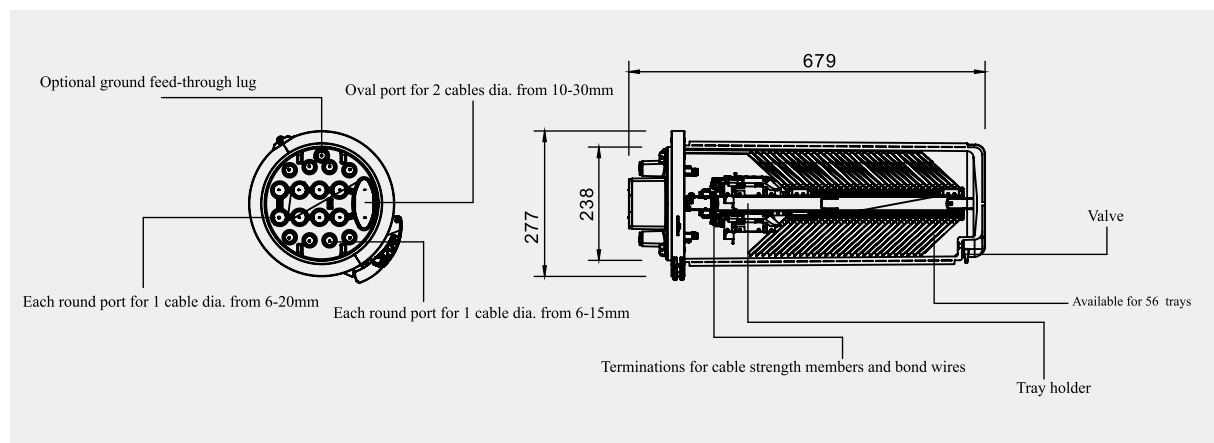
**Model**  
GJS03-M4AX-576C-N04B (GP306)



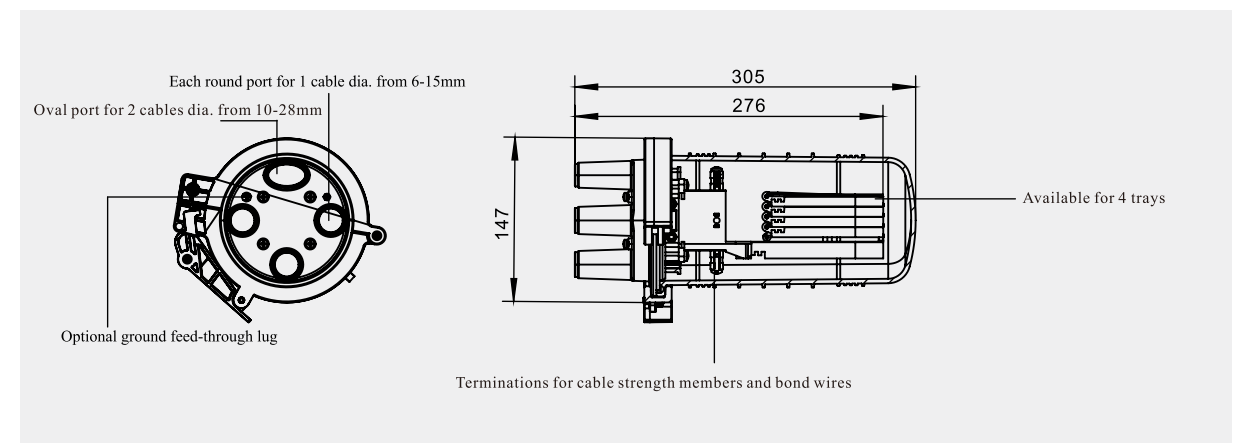
**Model**  
GJS03-M6AX-96C-I(GP339)



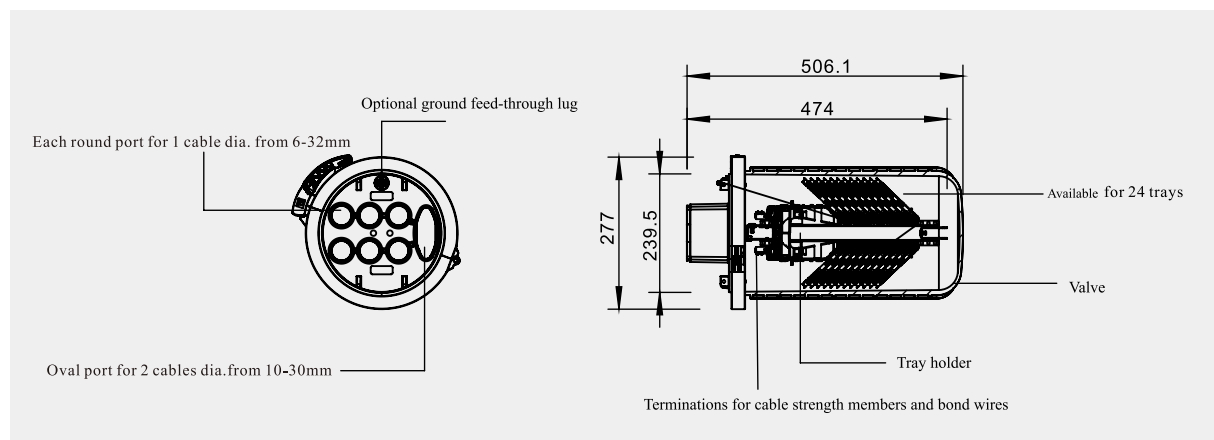
**Model**  
GJS03-M4AX-AL-12-672C(GP321)



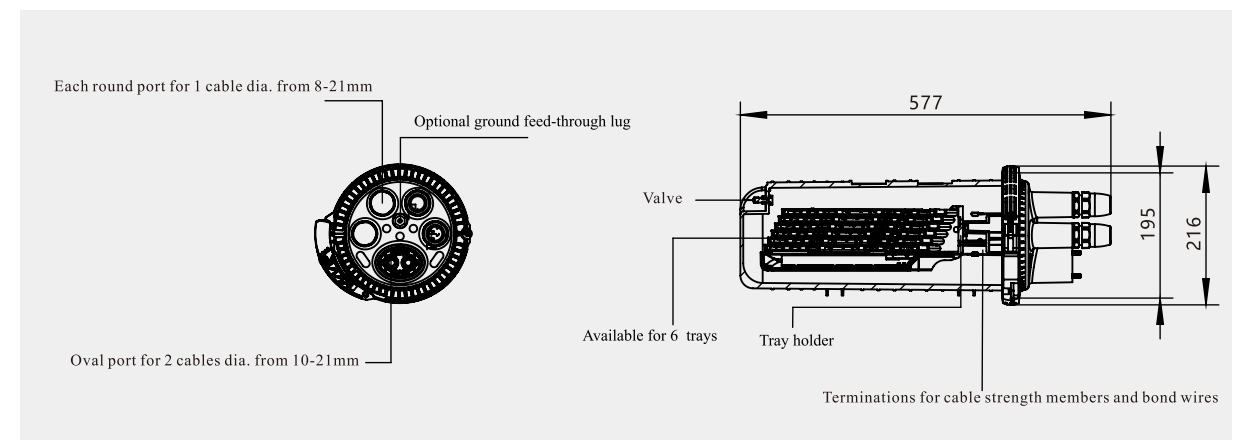
**Model**  
GJS03-M6AX-48C(GP223)



**Model**  
GJS03-M5AX-RS-AL-288C(GP304)



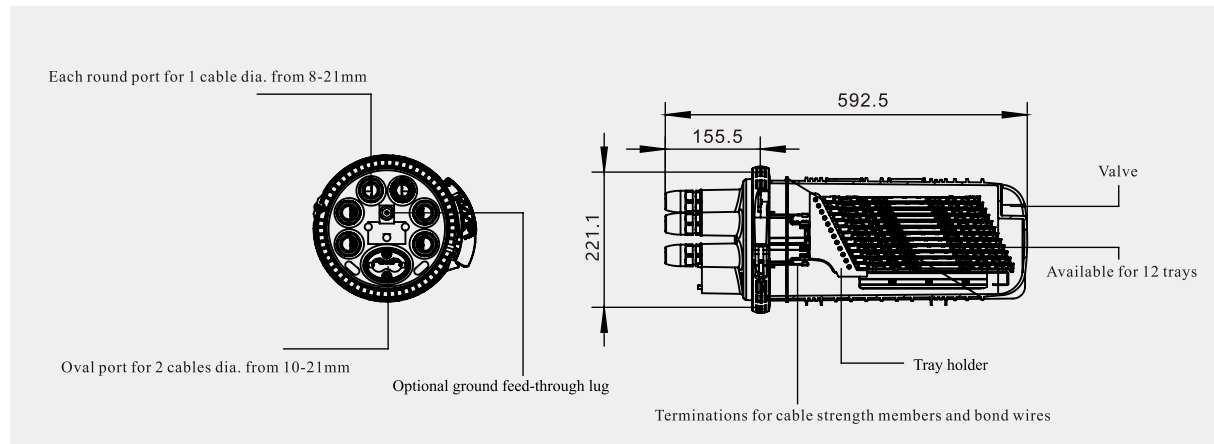
**Model**  
GJS03-M8AX-JX-24~144(GP322)





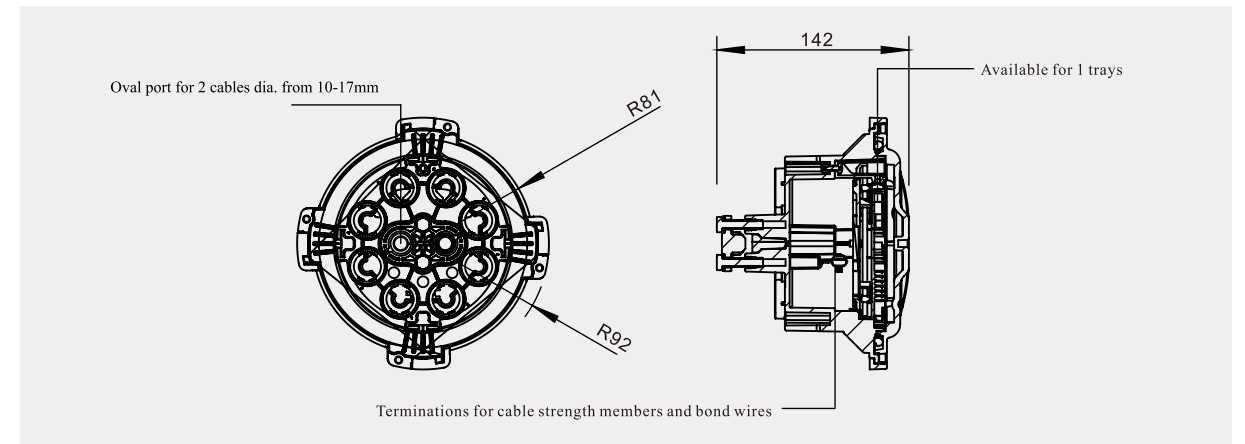
### Model

GJS03-M9AX-JX-288C-SRZJ21-W12(GP1425)



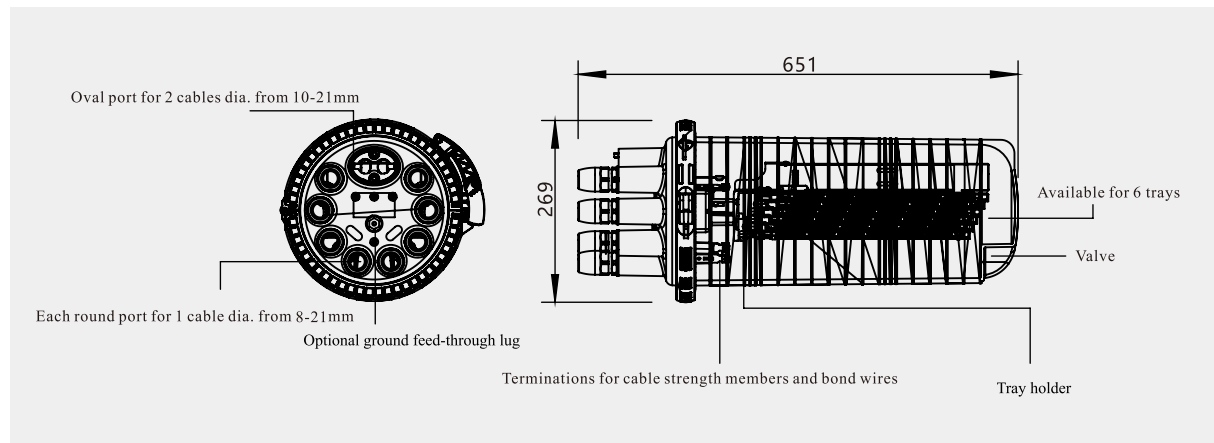
### Model

GJS03-M12AX-1 8-12C (GP353)



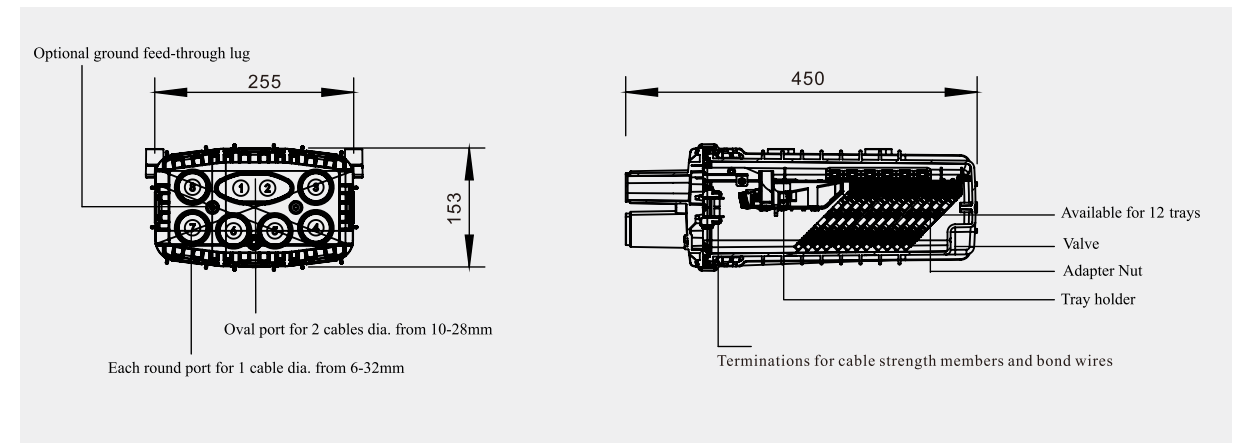
### Model

GJS03-M10AX-JX-432C(GP318)



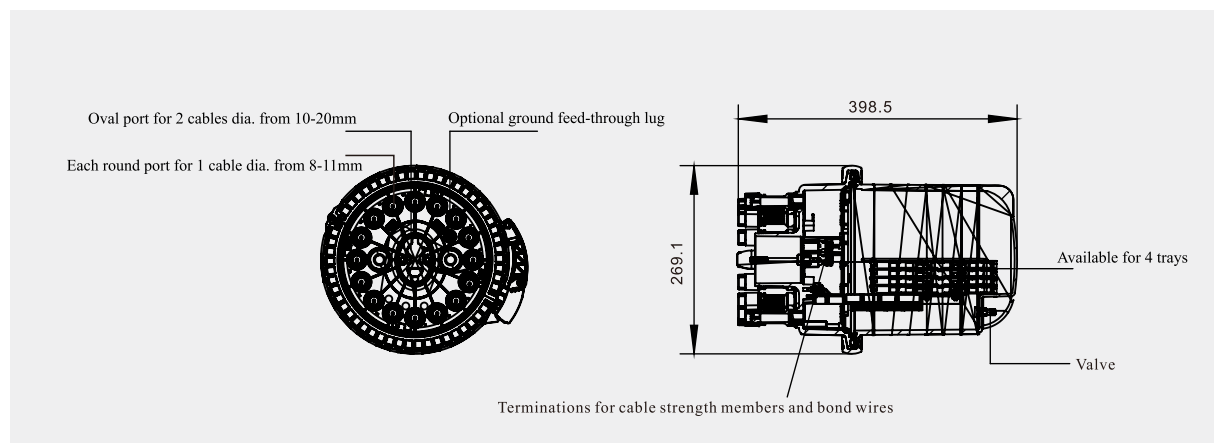
### Model

GJS03-M14AX-RS-144C(GP374)



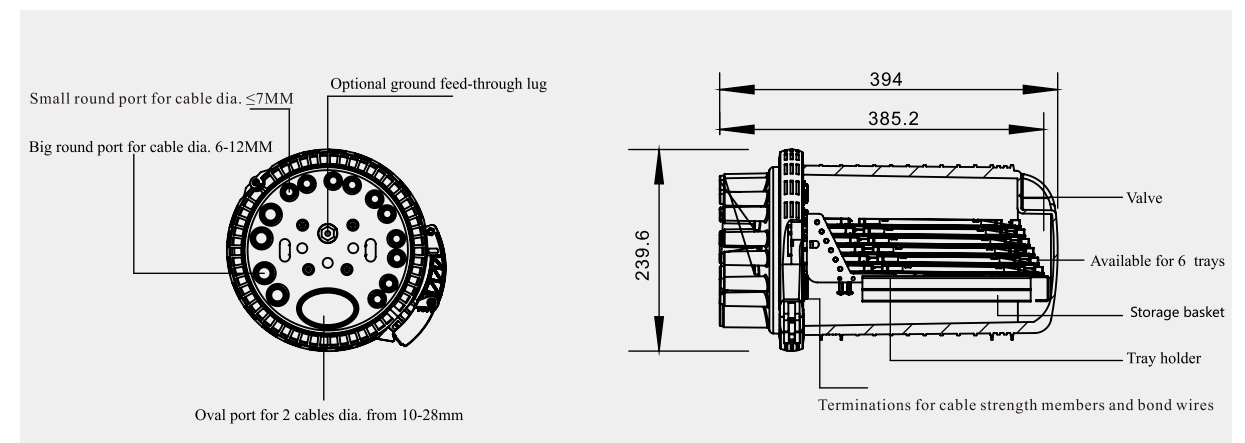
### Model

GJS03-M11AX-4/16-24~96C(GP341)

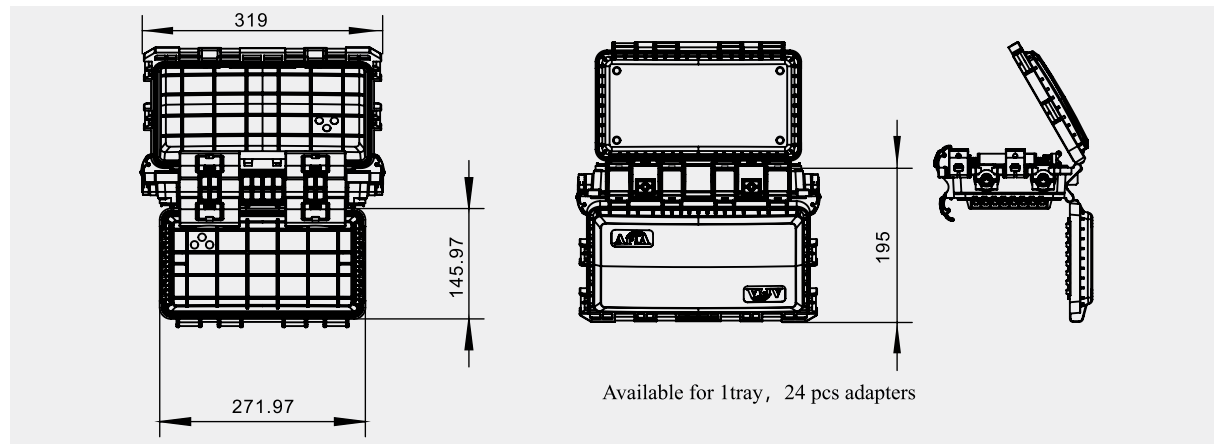


### Model

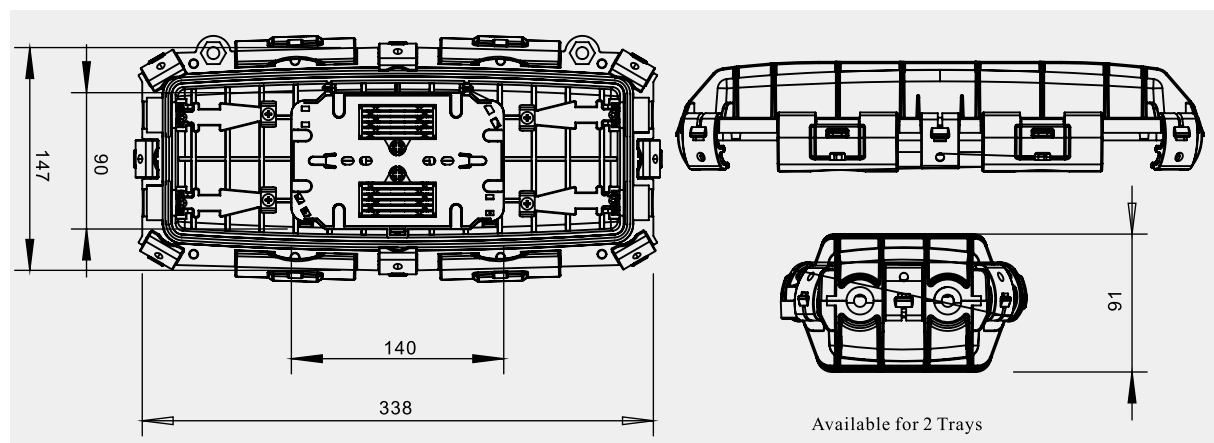
GJS03-M15AX-A14-144C (GP394)



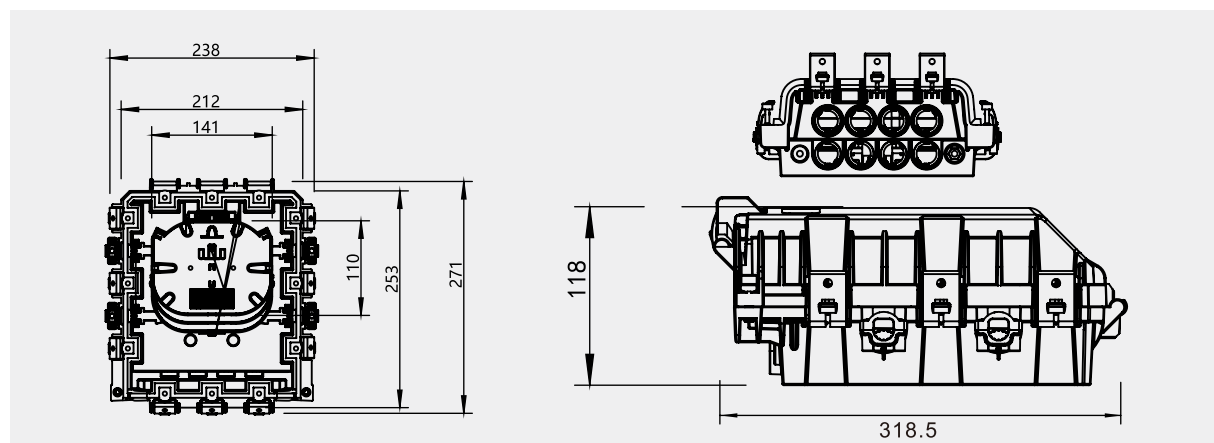
**Model**  
GP01-H23JF4(16-24)



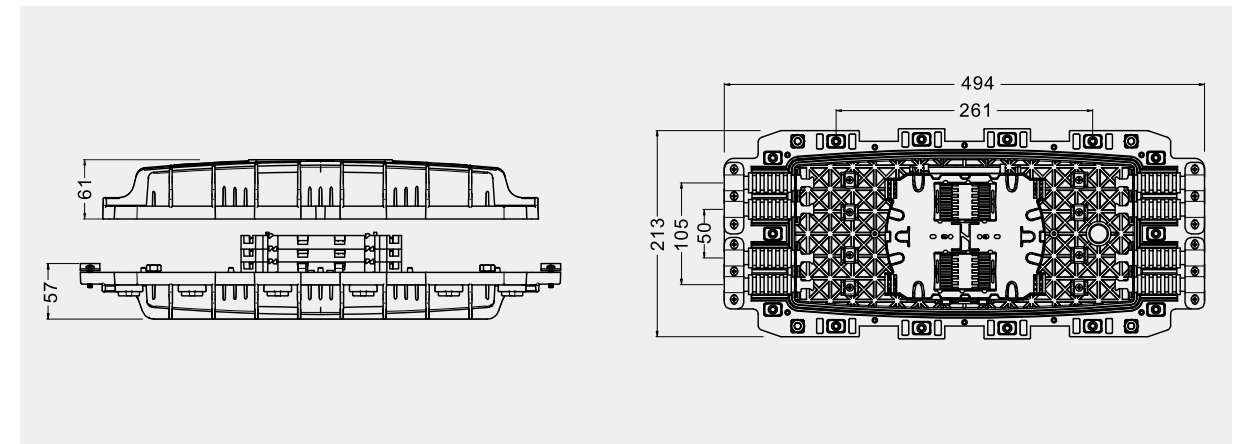
**Model**  
GP01-H25JF4-24~48



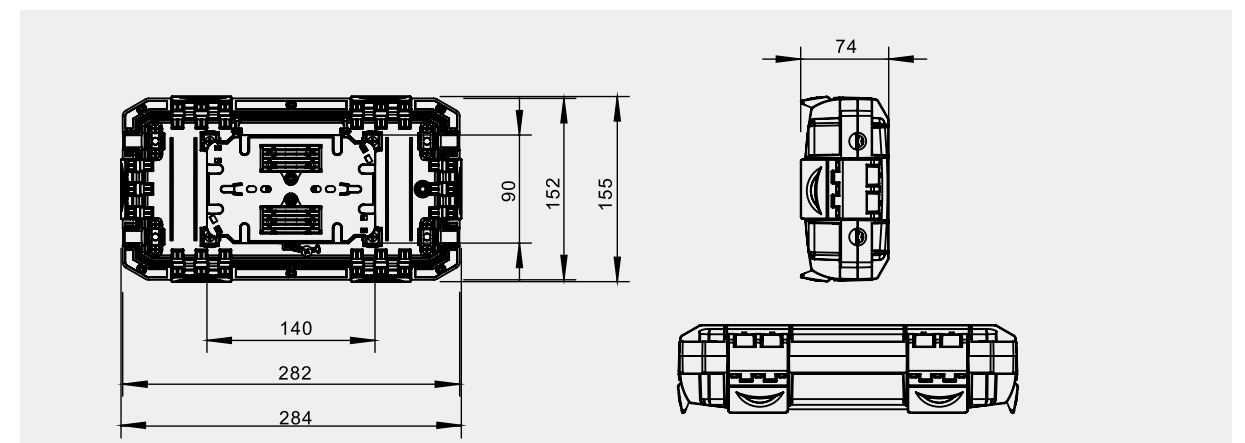
**Model**  
GP01-H31JF4(8)-36C



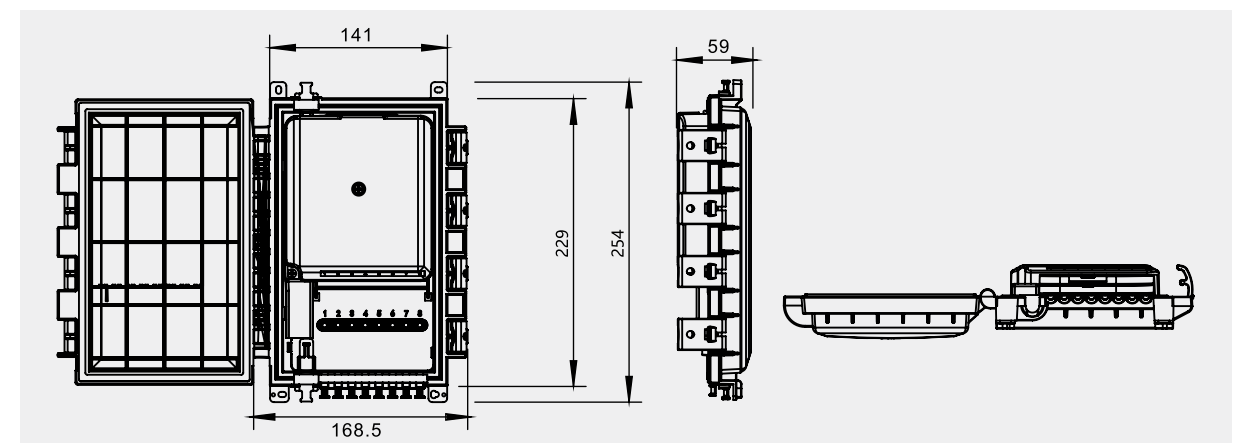
**Model**  
GP01-H40JM8-24~72



**Model**  
GP01-H54JF4-24~48



**Model**  
GP01-H60JF2(8)-32C



**GJS03-M1AX-144C(GP200)**

PICTURE



PARAMETER TABLE

Model (factory code)	GP 200
Size	422*Φ181.6mm
Port inner Dia.	Oval port: 62mmX37mm Round port: 24.5mm
Number of Entry ports	1+4
Max.Capacity of Splice Tray	24
Max. Capacity	144
Loose buffer tube storage basket	Without
Sealing Method	Heat-shrink sealing
Adapter	—
Application	Wall, Pole, Aerial, Pipeline, Direct-buried

**GJS03-M1AX-24-96C-N08 (GP227)**

PICTURE



PARAMETER TABLE

Model (factory code)	GP 227
Size	422*Φ181.6mm
Port inner Dia.	Oval port: 62mmX37mm Round port: 24.5mm
Number of Entry ports	1+4
Max.Capacity of Splice Tray	24
Max. Capacity	96
Loose buffer tube storage basket	With
Sealing Method	Heat-shrink sealing
Adapter	—
Application	Wall, Pole, Aerial, Pipeline, Direct-buried

**GJS03-M1AX-SC-24 24~48C(GP294)**

PICTURE



PARAMETER TABLE

Model (factory code)	GP 294
Size	422*Φ181.6mm
Port inner Dia.	Oval port: 62mmX37mm Round port: 24.5mm
Number of Entry ports	1+4
Max.Capacity of Splice Tray	24
Max. Capacity	48
Loose buffer tube storage basket	Without
Sealing Method	Heat-shrink sealing
Adapter	SC/24
Application	Wall, Pole, Aerial, Pipeline, Direct-buried

**GJS03-M1AX-144C-SRZJ14(GP1444)**

PICTURE



PARAMETER TABLE

Model (factory code)	GP 1444
Size	422*Φ181.6mm
Port inner Dia.	Oval port: 62mmX37mm Round port: 24.5mm
Number of Entry ports	1+4
Max.Capacity of Splice Tray	24
Max. Capacity	144
Loose buffer tube storage basket	Without
Sealing Method	Heat-shrink sealing
Adapter	—
Application	Wall, Pole, Aerial, Pipeline, Direct-buried

**GJS03-M1AX-JX-144C(GP335)**

PICTURE



PARAMETER TABLE

Model (factory code)	GP 335
Size	480*Φ181.6mm
Port inner Dia.	Oval port: 2X20mm Round port: 24.5mm
Number of Entry ports	1+4
Max.Capacity of Splice Tray	24
Max. Capacity	144
Loose buffer tube storage basket	With
Sealing Method	Mechanical sealing
Adapter	—
Application	Wall, Pole, Aerial, Pipeline, Direct-buried

**GJS03-M1AX-A8-24~96C(GP204)**

PICTURE



PARAMETER TABLE

Model (factory code)	GP 204
Size	413*Φ181.6mm
Port inner Dia.	Oval port: 61mmX37mm Round port: 12mm
Number of Entry ports	1+8
Max.Capacity of Splice Tray	24
Max. Capacity	96
Loose buffer tube storage basket	Without
Sealing Method	Heat-shrink sealing
Adapter	—
Application	Wall, Pole, Aerial, Pipeline, Direct-buried

**GJS03-M1AX-A8-24-96C-N08(GP218)**

PICTURE



PARAMETER TABLE

Model (factory code)	GP 218
Size	413*Φ181.6mm
Port inner Dia.	Oval port: 61mmx37mm Round port: 12mm
Number of Entry ports	1+8
Max.Capacity of Splice Tray	24
Max. Capacity	96
Loose buffer tube storage basket	With
Sealing Method	Heat-shrink sealing
Adapter	—
Application	Wall, Pole, Aerial, Pipeline, Direct-buried

**GJS03-M1AX-A8-144C-W30(GP1416)**

PICTURE



PARAMETER TABLE

Model (factory code)	GP 1416
Size	413*Φ181.6mm
Port inner Dia.	Oval port: 61mmx37mm Round port: 12mm
Number of Entry ports	1+8
Max.Capacity of Splice Tray	24
Max. Capacity	144
Loose buffer tube storage basket	With
Sealing Method	Heat-shrink sealing
Adapter	—
Application	Wall, Pole, Aerial, Pipeline, Direct-buried

**GJS03-M1AX-A8, SC-24 24-72C-D(GP297)**

PICTURE



PARAMETER TABLE

Model (factory code)	GP 297
Size	413*Φ181.6mm
Port inner Dia.	Oval port: 61mmx37mm Round port: 12mm
Number of Entry ports	1+8
Max.Capacity of Splice Tray	24
Max. Capacity	72
Loose buffer tube storage basket	With
Sealing Method	Heat-shrink sealing
Adapter	SC/24
Application	Wall, Pole, Aerial, Pipeline, Direct-buried

**GJS03-M2AX-24~144C-SRZJ14(GP262)**

PICTURE



PARAMETER TABLE

Model (factory code)	GP 262
Size	532.3*Φ181.6mm
Port inner Dia.	Oval port: 78mmx34mm Round port: 19mm
Number of Entry ports	1+4
Max.Capacity of Splice Tray	24
Max. Capacity	144
Loose buffer tube storage basket	Without
Sealing Method	Heat-shrink sealing
Adapter	—
Application	Wall, Pole, Aerial, Pipeline, Direct-buried

**GJS03-M2AX-24~144C-SRZJ14-W22(GP1404)**

PICTURE



PARAMETER TABLE

Model (factory code)	GP 1404
Size	532.3*Φ181.6mm
Port inner Dia.	Oval port: 78mmx34mm Round port: 19mm
Number of Entry ports	1+4
Max.Capacity of Splice Tray	24
Max. Capacity	144
Loose buffer tube storage basket	With
Sealing Method	Heat-shrink sealing
Adapter	—
Application	Wall, Pole, Aerial, Pipeline, Direct-buried

**GJS03-M2AX-A8-24~96C(GP206)**

PICTURE



PARAMETER TABLE

Model (factory code)	GP 206
Size	522.8*Φ181.6mm
Port inner Dia.	Oval port: 61mmx37mm Round port: 12mm
Number of Entry ports	1+8
Max.Capacity of Splice Tray	24
Max. Capacity	96
Loose buffer tube storage basket	Without
Sealing Method	Heat-shrink sealing
Adapter	—
Application	Wall, Pole, Aerial, Pipeline, Direct-buried

**GJS03-M2AX-A8-24~96C-N08(GP241)**

PICTURE



PARAMETER TABLE

Model (factory code)	GP 241
Size	522.8*φ181.6mm
Port inner Dia.	Oval port: 61mmx37mm Round port: 12mm
Number of Entry ports	1+8
Max.Capacity of Splice Tray	24
Max. Capacity	96
Loose buffer tube storage basket	With
Sealing Method	Heat-shrink sealing
Adapter	---
Application	Wall, Pole, Aerial, Pipeline, Direct-buried

**GJS03-M2AX-A8-144C (GP1418)**

PICTURE



PARAMETER TABLE

Model (factory code)	GP 1418
Size	522.8*φ181.6mm
Port inner Dia.	Oval port: 61mmx37mm Round port: 12mm
Number of Entry ports	1+8
Max.Capacity of Splice Tray	24
Max. Capacity	144
Loose buffer tube storage basket	Without
Sealing Method	Heat-shrink sealing
Adapter	---
Application	Wall, Pole, Aerial, Pipeline, Direct-buried

**GJS03-M2AX-A8-24~96C-W21(GP1402)**

PICTURE



PARAMETER TABLE

Model (factory code)	GP 1402
Size	522.8*φ181.6mm
Port inner Dia.	Oval port: 61mmx37mm Round port: 12mm
Number of Entry ports	1+8
Max.Capacity of Splice Tray	24
Max. Capacity	96
Loose buffer tube storage basket	With
Sealing Method	Heat-shrink sealing
Adapter	---
Application	Wall, Pole, Aerial, Pipeline, Direct-buried

**GJS03-M2AX-A8, SC-24 24~72C-D (GP253)**

PICTURE



PARAMETER TABLE

Model (factory code)	GP 253
Size	522.8*φ181.6mm
Port inner Dia.	Oval port: 61mmx37mm Round port: 12mm
Number of Entry ports	1+8
Max.Capacity of Splice Tray	24
Max. Capacity	72
Loose buffer tube storage basket	With
Sealing Method	Heat-shrink sealing
Adapter	SC/24
Application	Wall, Pole, Aerial, Pipeline, Direct-buried

**GJS03-M3AX-216C-W01 (GP211)**

PICTURE



PARAMETER TABLE

Model (factory code)	GP 211
Size	587*φ220mm
Port inner Dia.	Oval port: 77mmx42mm Round port: 21mm
Number of Entry ports	1+5
Max.Capacity of Splice Tray	24
Max. Capacity	216
Loose buffer tube storage basket	With
Sealing Method	Heat-shrink sealing
Adapter	---
Application	Wall, Pole, Aerial, Pipeline, Direct-buried

**GJS03-M3AX-24~288C-TZJ07-III-N15 (GP286)**

PICTURE



PARAMETER TABLE

Model (factory code)	GP 286
Size	587*φ220mm
Port inner Dia.	Oval port: 77mmx42mm Round port: 21mm
Number of Entry ports	1+5
Max.Capacity of Splice Tray	24
Max. Capacity	288
Loose buffer tube storage basket	With
Sealing Method	Heat-shrink sealing
Adapter	---
Application	Wall, Pole, Aerial, Pipeline, Direct-buried

**GJS03-M4AX-576C-N04B (GP306)**

PICTURE



PARAMETER TABLE

Model (factory code)	GP 306
Size	680*φ277mm
Port inner Dia.	Oval port: 80mmx48mm Round port: 33mm
Number of Entry ports	1+5
Max.Capacity of Splice Tray	72
Max. Capacity	576
Loose buffer tube storage basket	With
Sealing Method	Heat-shrink sealing
Adapter	—
Application	Wall, Pole, Aerial, Pipeline, Direct-buried

**GJS03-M4AX-AL-12-672C(GP321)**

PICTURE



PARAMETER TABLE

Model (factory code)	GP 321
Size	679*φ277mm
Port inner Dia.	Oval port: 90mmx31mm Round port: 21mm/16mm
Number of Entry ports	1+16
Max.Capacity of Splice Tray	12
Max. Capacity	672
Loose buffer tube storage basket	With
Sealing Method	Heat-shrink sealing
Adapter	—
Application	Wall, Pole, Aerial, Pipeline, Direct-buried

**GJS03-M5AX-AL-288C(GP220)**

PICTURE



PARAMETER TABLE

Model (factory code)	GP 220
Size	508.9*φ277mm
Port inner Dia.	Oval port: 90mmx31mm Round port: 21mm/16mm
Number of Entry ports	1+16
Max.Capacity of Splice Tray	12
Max. Capacity	288
Loose buffer tube storage basket	With
Sealing Method	Heat-shrink sealing
Adapter	—
Application	Wall, Pole, Aerial, Pipeline, Direct-buried

**M5AX-RS-AL-SC(48) 12~144C(GP220)**

PICTURE



PARAMETER TABLE

Model (factory code)	GP 220-SC/48
Size	508.9*φ277mm
Port inner Dia.	Oval port: 90mmx31mm Round port: 21mm/16mm
Number of Entry ports	1+16
Max.Capacity of Splice Tray	12
Max. Capacity	144
Loose buffer tube storage basket	With
Sealing Method	Heat-shrink sealing
Adapter	SC/48
Application	Wall, Pole, Aerial, Pipeline, Direct-buried

**GJS03-M5AX-RS-AL-288C(GP304)**

PICTURE



PARAMETER TABLE

Model (factory code)	GP 304
Size	506.1*φ277mm
Port inner Dia.	Oval port: 90mmx31mm Round port: 21mm/16mm
Number of Entry ports	1+6
Max.Capacity of Splice Tray	12
Max. Capacity	288
Loose buffer tube storage basket	With
Sealing Method	Heat-shrink sealing
Adapter	—
Application	Wall, Pole, Aerial, Pipeline, Direct-buried

**GJS03-M5AX-JX-AL-288C(GP304)**

PICTURE



PARAMETER TABLE

Model (factory code)	GP 304-JX
Size	506.1*φ277mm
Port inner Dia.	Oval port: 90mmx31mm Round port: 33mm
Number of Entry ports	1+6
Max.Capacity of Splice Tray	12
Max. Capacity	288
Loose buffer tube storage basket	With
Sealing Method	Round port:Mechanical sealing Oval port:Heat-shrink sealing
Adapter	—
Application	Wall, Pole, Aerial, Pipeline, Direct-buried



**M5AX-JX-AL-SC(48)-12~144C(GP304)**

PICTURE



PARAMETER TABLE

Model (factory code)	GP 304-JX-SC/48
Size	506.1*Φ277mm
Port inner Dia.	Oval port: 90mmx31mm Round port: 33mm
Number of Entry ports	1+6
Max.Capacity of Splice Tray	12
Max. Capacity	144
Loose buffer tube storage basket	With
Sealing Method	Round port:Mechanical sealing Oval port:Heat-shrink seal
Adapter	SC/48
Application	Wall, Pole, Aerial, Pipeline, Direct-buried

**GJS03-M6AX-48C(GP223)**

PICTURE



PARAMETER TABLE

Model (factory code)	GP 223
Size	305*Φ147mm
Port inner Dia.	Oval port: 27mmx13mm Round port: 15mm
Number of Entry ports	1+3
Max.Capacity of Splice Tray	12
Max. Capacity	48
Loose buffer tube storage basket	With
Sealing Method	Heat-shrink sealing
Adapter	—
Application	Wall, Pole, Aerial, Pipeline, Direct-buried

**GJS03-M6AX-96C-I(GP339)**

PICTURE



PARAMETER TABLE

Model (factory code)	GP 339
Size	315*Φ135mm
Port inner Dia.	Oval port: 51mmx28mm Round port: 17mm
Number of Entry ports	1+4
Max.Capacity of Splice Tray	24
Max. Capacity	96
Loose buffer tube storage basket	With
Sealing Method	Heat-shrink sealing
Adapter	—
Application	Wall, Pole, Aerial, Pipeline, Direct-buried

**GJS03-M8AX-12~144C (GP313)**

PICTURE



PARAMETER TABLE

Model (factory code)	GP 313
Size	511.6*Φ216mm
Port inner Dia.	Oval port: 62mmx37mm Round port: 24mm
Number of Entry ports	1+4
Max.Capacity of Splice Tray	24
Max. Capacity	144
Loose buffer tube storage basket	With
Sealing Method	Heat-shrink sealing
Adapter	—
Application	Wall, Pole, Aerial, Pipeline, Direct-buried

**GJS03-M8AX-JX-24~144(GP322)**

PICTURE



PARAMETER TABLE

Model (factory code)	GP 322
Size	577*Φ216mm
Port inner Dia.	Oval port: 2x22mm Round port: 22mm
Number of Entry ports	1+4
Max.Capacity of Splice Tray	24
Max. Capacity	144
Loose buffer tube storage basket	With
Sealing Method	Mechanical sealing
Adapter	—
Application	Wall, Pole, Aerial, Pipeline, Direct-buried

**GJS03-M9AX-24~144C(GP317)**

PICTURE



PARAMETER TABLE

Model (factory code)	GP 317
Size	532*Φ239.6mm
Port inner Dia.	Oval port: 62mmx37mm Round port: 24mm
Number of Entry ports	1+6
Max.Capacity of Splice Tray	24
Max. Capacity	144
Loose buffer tube storage basket	With
Sealing Method	Heat-shrink sealing
Adapter	—
Application	Wall, Pole, Aerial, Pipeline, Direct-buried

**GJS03-M9AX-RS-288C-SRZJ21-W12(GP1423)**

PICTURE



PARAMETER TABLE

Model (factory code)	GP 1423
Size	532*Φ239.6mm
Port inner Dia.	Oval port: 62mmx37mm Round port: 24mm
Number of Entry ports	1+6
Max.Capacity of Splice Tray	24
Max. Capacity	288
Loose buffer tube storage basket	With
Sealing Method	Heat-shrink sealing
Adapter	—
Application	Wall, Pole, Aerial, Pipeline, Direct-buried

**GJS03-M9AX-JX-288C-SRZJ21-W12(GP1425)**

PICTURE

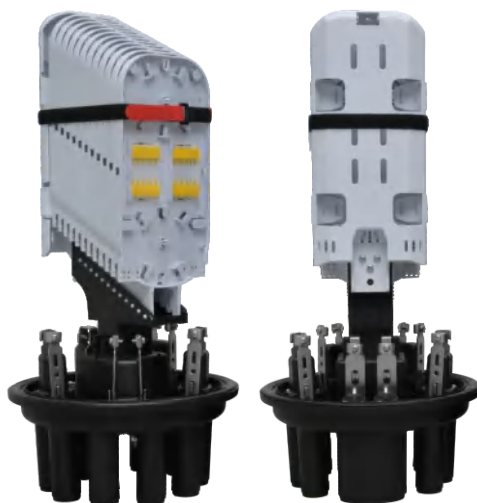


PARAMETER TABLE

Model (factory code)	GP 1425
Size	592.5*Φ239.6mm
Port inner Dia.	Oval port: 2x22mm Round port: 22mm
Number of Entry ports	1+6
Max.Capacity of Splice Tray	24
Max. Capacity	288
Loose buffer tube storage basket	With
Sealing Method	Mechanical sealing
Adapter	—
Application	Wall, Pole, Aerial, Pipeline, Direct-buried

**GJS03-M10AX-RS-288C-SRZJ-21**

PICTURE

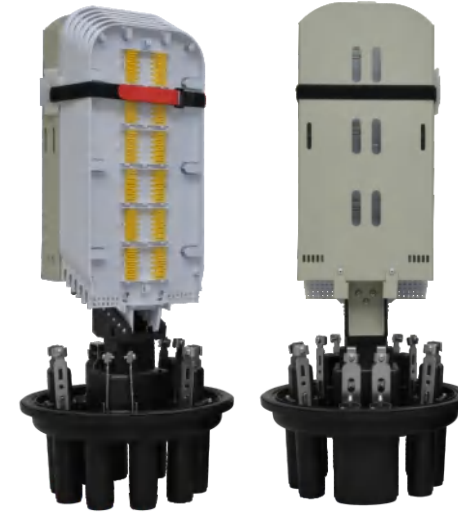


PARAMETER TABLE

Model (factory code)	M10-RS-288
Size	591*Φ269mm
Port inner Dia.	Oval port: 62mmx37mm Round port: 24mm
Number of Entry ports	1+8
Max.Capacity of Splice Tray	24
Max. Capacity	288
Loose buffer tube storage basket	With
Sealing Method	Heat-shrink sealing
Adapter	—
Application	Wall, Pole, Aerial, Pipeline, Direct-buried

**GJS03-M10AX-RS-432C-N14(GP367)**

PICTURE



PARAMETER TABLE

Model (factory code)	GP 367
Size	591*Φ269mm
Port inner Dia.	Oval port: 62mmx37mm Round port: 24mm
Number of Entry ports	1+8
Max.Capacity of Splice Tray	72
Max. Capacity	432
Loose buffer tube storage basket	With
Sealing Method	Heat-shrink sealing
Adapter	—
Application	Wall, Pole, Aerial, Pipeline, Direct-buried

**GJS03-M10AX-JX-24~288C-SRZJ-21**

PICTURE



PARAMETER TABLE

Model (factory code)	M10-JX-288
Size	651*Φ269mm
Port inner Dia.	Oval port: 2x22mm Round port: 22mm
Number of Entry ports	1+8
Max.Capacity of Splice Tray	24
Max. Capacity	288
Loose buffer tube storage basket	With
Sealing Method	Mechanical sealing
Adapter	—
Application	Wall, Pole, Aerial, Pipeline, Direct-buried

**GJS03-M10AX-JX-432C(GP318)**

PICTURE

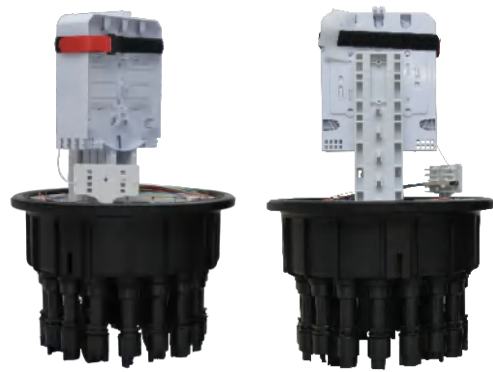


PARAMETER TABLE

Model (factory code)	GP 318
Size	651*Φ269mm
Port inner Dia.	Oval port: 2x22mm Round port: 22mm
Number of Entry ports	1+8
Max.Capacity of Splice Tray	72
Max. Capacity	432
Loose buffer tube storage basket	With
Sealing Method	Mechanical sealing
Adapter	—
Application	Wall, Pole, Aerial, Pipeline, Direct-buried

**GJS03-M11AX-4/16-24~96C(GP341)**

PICTURE



PARAMETER TABLE

Model (factory code)	GP 341
Size	398.5*φ269.1mm
Port inner Dia.	Oval port: 47mmx21mm Round port: Drop Cable
Number of Entry ports	1+2+16
Max.Capacity of Splice Tray	24
Max. Capacity	96
Loose buffer tube storage basket	Without
Sealing Method	Mechanical sealing
Adapter	SC/16 (Micro PLC Splitter)
Application	Wall, Pole, Aerial

**GJS03-M12AX-1/8-12C (GP353)**

PICTURE

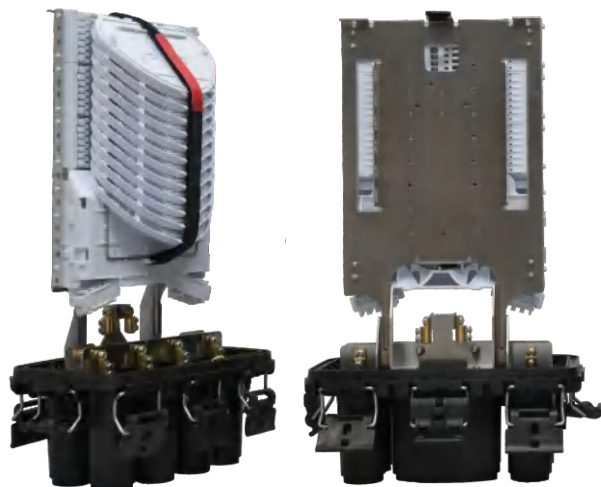


PARAMETER TABLE

Model (factory code)	GP 353
Size	186*φ182mm
Port inner Dia.	Oval port: 51mmx18mm Round port: Drop Cable
Number of Entry ports	1+8
Max.Capacity of Splice Tray	12
Max. Capacity	12
Loose buffer tube storage basket	Without
Sealing Method	Mechanical sealing
Adapter	SC/8 (Micro PLC Splitter)
Application	Wall, Pole

**GJS03-M14AX-RS-144C(GP374)**

PICTURE



PARAMETER TABLE

Model (factory code)	GP 374
Size	255*153*450mm
Port inner Dia.	Oval port: 90mmx30mm Round port: 33mm
Number of Entry ports	1+6
Max.Capacity of Splice Tray	12
Max. Capacity	144
Loose buffer tube storage basket	Without
Sealing Method	Heat-shrink sealing
Adapter	SC/14
Application	Wall, Pole, Aerial, Pipeline, Direct-buried

**GJS03-M14AX-JX-144C(GP374)**

PICTURE



PARAMETER TABLE

Model (factory code)	GP 374-JX
Size	255*153*450mm
Port inner Dia.	Oval port: 90mmx30mm Round port: 33mm
Number of Entry ports	1+6
Max.Capacity of Splice Tray	12
Max. Capacity	144
Loose buffer tube storage basket	Without
Sealing Method	Mechanical sealing
Adapter	SC/14
Application	Wall, Pole, Aerial, Pipeline, Direct-buried

**GJS03-M15AX-A14-144C (GP394)**

PICTURE



PARAMETER TABLE

Model (factory code)	GP 394
Size	394*φ239.6mm
Port inner Dia.	Oval port: 58mmx34mm Round port: 7mm/12mm
Number of Entry ports	1+14
Max.Capacity of Splice Tray	24
Max. Capacity	144
Loose buffer tube storage basket	Without
Sealing Method	Heat-shrink sealing
Adapter	—
Application	Wall, Pole, Aerial, Pipeline, Direct-buried

**GJS03-M15AX-A14-144C-NABS02 (GP394)**

PICTURE

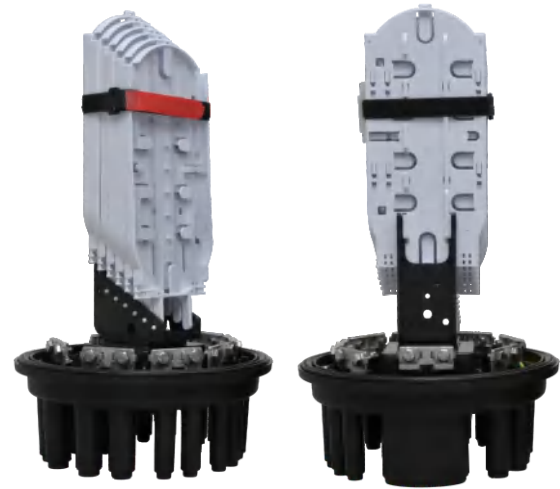


PARAMETER TABLE

Model (factory code)	GP 394
Size	394*φ239.6mm
Port inner Dia.	Oval port: 58mmx34mm Round port: 7mm/12mm
Number of Entry ports	1+14
Max.Capacity of Splice Tray	24
Max. Capacity	144
Loose buffer tube storage basket	With
Sealing Method	Heat-shrink sealing
Adapter	—
Application	Wall, Pole, Aerial, Pipeline, Direct-buried

**GJS03-M15BX-A14-144C (GP394)**

PICTURE



PARAMETER TABLE

Model (factory code)	GP 394
Size	394*φ239.6mm
Port inner Dia.	Oval port: 58mmx34mm Round port: 7mm/12mm
Number of Entry ports	1+14
Max.Capacity of Splice Tray	24
Max. Capacity	144
Loose buffer tube storage basket	Without
Sealing Method	Heat-shrink sealing
Adapter	---
Application	Wall, Pole, Aerial, Pipeline, Direct-buried

**GJS03-M15BX-A14-144C-NABS02 (GP394)**

PICTURE



PARAMETER TABLE

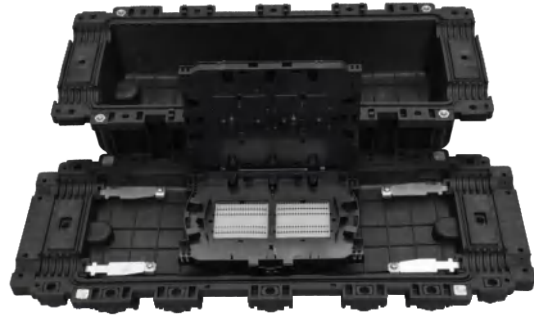
Model (factory code)	GP 394
Size	394*φ239.6mm
Port inner Dia.	Oval port: 58mmx34mm Round port: 7mm/12mm
Number of Entry ports	1+14
Max.Capacity of Splice Tray	24
Max. Capacity	144
Loose buffer tube storage basket	With
Sealing Method	Heat-shrink sealing
Adapter	---
Application	Wall, Pole, Aerial, Pipeline, Direct-buried

**Splice trays**

					
Splice trays mode RQP-06-24C	For fiber optic splice closure model M1AX(heat shrinkable cable entries way) M15	Splice trays mode RQP-08-24C	For fiber optic splice closure model M1BX(heat shrinkable cable entries way)	Splice trays mode RQP-35-24C	For fiber optic splice closure model M1-JX (mechanical sealing way)
					
Splice trays mode RQP-05-24C-I	For fiber optic splice closure model M2AX,M3AX	Splice trays mode RQP-07-24C-I	For fiber optic splice closure model M2BX,M3BX	Splice trays mode RQP-09-72C	For fiber optic splice closure model M4AX
					
Splice trays mode RQP-15-12C	For fiber optic splice closure model M5,M14	Splice trays mode RQPT-26-4C	For fiber optic splice closure model M5,M14	Splice trays mode RQP-17-12C	For fiber optic splice closure model M6AX-48 (GP223)
					
Splice trays mode RQP-36-24C	For fiber optic splice closure model M6AX-96-1 (GP339)	Splice trays mode RQP-32-24C	For fiber optic splice closure model M8,M9,M10	Splice trays mode RQP-23-72C	For fiber optic splice closure model M10

 GP01-H15J4-72~432

 PICTURE



 PARAMETER TABLE

Model (factory code)	GP01-H15
Size	575*226.9*150mm
Applicable Cable Dia.	10-23mm
Number of Entry ports	4
Max.Capacity of Splice Tray	72
Max. Capacity	288F (Ribbon)
Sealing Method	Mechanical + Screws
Adapter	---
Application	Aerial, Pipeline, Direct-buried

 GP01-H17JM4-24~96

 PICTURE



 PARAMETER TABLE

Model (factory code)	GP01-H17
Size	636*210*141mm
Applicable Cable Dia.	10-21mm
Number of Entry ports	4
Max.Capacity of Splice Tray	24
Max. Capacity	144
Sealing Method	Mechanical +Clip type lock
Adapter	---
Application	Aerial, Pipeline, Direct-buried

 GP01-H23JF4(16-24)

 PICTURE

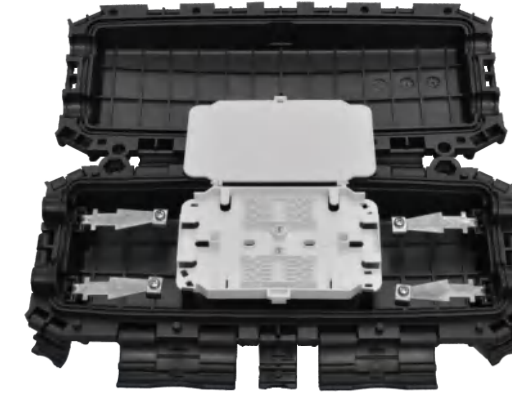


 PARAMETER TABLE

Model (factory code)	GP01-H23
Size	319*195*103mm
Applicable Cable Dia.	Big port: 8-12mm Drop cable: 2*3mm
Number of Entry ports	4+16
Max.Capacity of Splice Tray	24
Max. Capacity	24
Sealing Method	Mechanical +Clip type lock
Splitter type	Micro PLC splitter: SC/UPC-1/16
Adapter	SC/16
Application	Aerial

 GP01-H25JF4-24~48

 PICTURE



 PARAMETER TABLE

Model (factory code)	GP01-H25
Size	338*147*91mm
Applicable Cable Dia.	6-16mm
Number of Entry ports	4
Max.Capacity of Splice Tray	24
Max. Capacity	48
Sealing Method	Mechanical +Clip type lock
Adapter	---
Application	Aerial

 GP01-H31JF4(8)-36C

 PICTURE



 PARAMETER TABLE

Model (factory code)	GP01-H31
Size	318.5*238*118mm
Applicable Cable Dia.	Big port: 9-11mm Drop cable: 2*3mm
Number of Entry ports	4+8
Max.Capacity of Splice Tray	12
Max. Capacity	36
Sealing Method	Mechanical +Clip type lock
Splitter type	1:8
Adapter	SC/8
Application	Aerial,pole,wall

 GP01-H32JF6

 PICTURE



 PARAMETER TABLE

Model (factory code)	GP01-H32
Size	420*233.6*154.1mm
Applicable Cable Dia.	8-12mm
Number of Entry ports	6+16
Max.Capacity of Splice Tray	24
Max. Capacity	120F+Micro PLC Splitter or 48F+insertion Splitter
Sealing Method	Mechanical +Clip type lock
Splitter type	Micro PLC splitter:SC/UPC-1/8 Insertion type splitter:SC/UPC-1/16
Adapter	SC/16
Application	Aerial

 GP01-H33JF4(16)-48

 PICTURE



 PARAMETER TABLE

Model (factory code)	GP01-H33
Size	359*277*120mm
Applicable Cable Dia.	Big port: 8-12mm Drop cable: 2*3mm
Number of Entry ports	4+16
Max.Capacity of Splice Tray	24
Max. Capacity	48
Sealing Metho	Mechanical +Clip type lock
Splitter type	Micro PLC splitter: SC/UPC-1/16
Adapter	SC/16
Application	Aerial, Wall, Pole

 GP01-H39JM6-24~72

 PICTURE

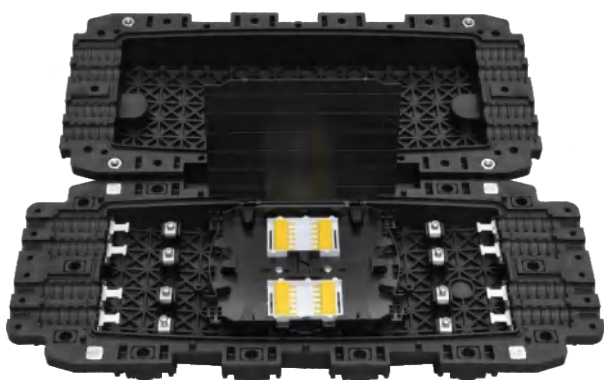


 PARAMETER TABLE

Model (factory code)	GP01-H39
Size	500*220*111.8mm
Applicable Cable Dia.	8-14mm
Number of Entry ports	6
Max.Capacity of Splice Tray	24
Max. Capacity	72
Sealing Method	Mechanical + Screws
Adapter	---
Application	Aerial, Pipeline, Direct-buried

 GP01-H40JM8-24~72

 PICTURE



 PARAMETER TABLE

Model (factory code)	GP01-H40
Size	494*213*112mm
Applicable Cable Dia.	8-14mm
Number of Entry ports	8
Max.Capacity of Splice Tray	24
Max. Capacity	72
Sealing Method	Mechanical + Screws
Adapter	---
Application	Aerial, Pipeline

 GP01-H41JM4-12~48

 PICTURE

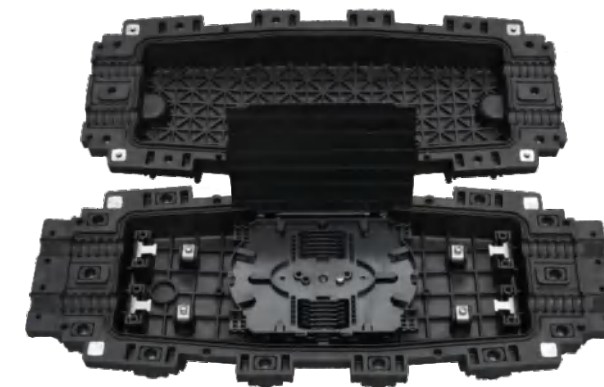


 PARAMETER TABLE

Model (factory code)	GP01-H41
Size	530*196*121mm
Applicable Cable Dia.	8-12mm
Number of Entry ports	4
Max.Capacity of Splice Tray	24
Max. Capacity	48
Sealing Method	Mechanical +Clipe type lock
Adapter	---
Application	Aerial, Pipeline

 GP01-H42JM4-12~48

 PICTURE

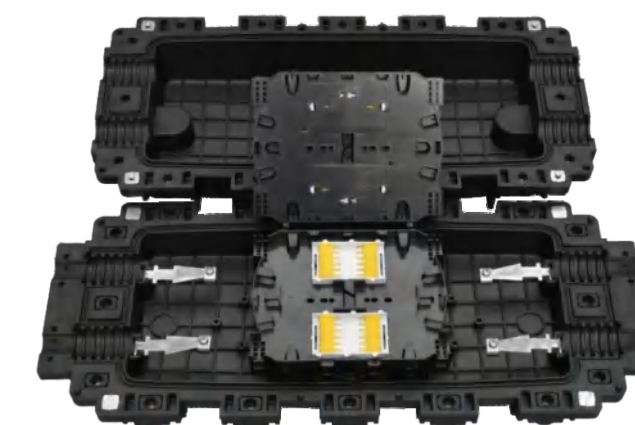


 PARAMETER TABLE

Model (factory code)	GP01-H42
Size	500*200*106.41mm
Applicable Cable Dia.	8-12mm
Number of Entry ports	4
Max.Capacity of Splice Tray	24
Max. Capacity	48
Sealing Method	Mechanical + Screws
Adapter	---
Application	Aerial, Pipeline, Direct-buried

 GP01-GP01-H43JM4-24~96

 PICTURE



 PARAMETER TABLE

Model (factory code)	GP01-H43
Size	515*220*122mm
Applicable Cable Dia.	8-21mm
Number of Entry ports	4
Max.Capacity of Splice Tray	24
Max. Capacity	96
Sealing Method	Mechanical +Clipe type lock
Adapter	---
Application	Aerial, Pipeline, Direct-buried

 GP01-H54JF4-24~48

 PICTURE



 PARAMETER TABLE

Model (factory code)	GP01-H54
Size	284*155*74mm
Applicable Cable Dia.	6-11mm
Number of Entry ports	4
Max.Capacity of Splice Tray	24
Max. Capacity	48
Sealing Method	Mechanical + Clipe type lock
Adapter	—
Application	Aerial, Pipeline

 GP01-H55JF4-24~96

 PICTURE

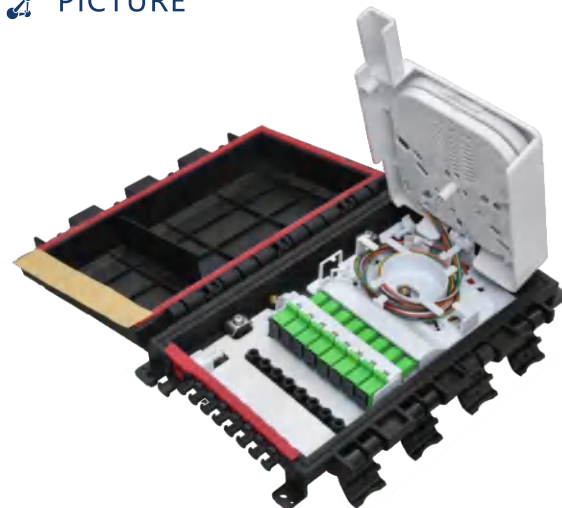


 PARAMETER TABLE

Model (factory code)	GP01-H55
Size	350*180*70mm
Applicable Cable Dia.	8-16mm
Number of Entry ports	4
Max.Capacity of Splice Tray	24
Max. Capacity	96
Sealing Method	Mechanical + Clipe type lock
Adapter	—
Application	Aerial, Pipeline

 GP01-H60JF2(8)-32C

 PICTURE



 PARAMETER TABLE

Model (factory code)	GP01-H60
Size	254*141*59mm
Applicable Cable Dia.	Big port: 5-11mm Drop cable: 2*3mm
Number of Entry ports	2+8
Max.Capacity of Splice Tray	12
Max. Capacity	24
Sealing Metho	Mechanical + Clipe type lock
Splitter type	Micro PLC splitter: SC/UPC-1/8
Adapter	SC/8
Application	Wall

 GP01-H61JM4-12~48

 PICTURE

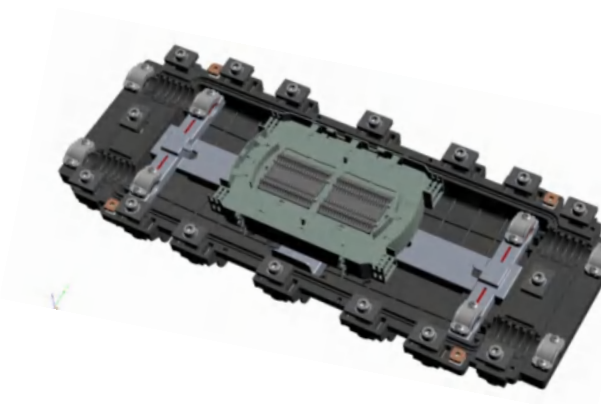


 PARAMETER TABLE

Model (factory code)	GP01-H61
Size	464*198*105mm
Applicable Cable Dia.	8-12mm
Number of Entry ports	4
Max.Capacity of Splice Tray	24
Max. Capacity	48
Sealing Method	Mechanical + Screws
Adapter	—
Application	Aerial, Pipeline, Direct-buried

 GP01-H62JM4

 PICTURE



 PARAMETER TABLE

Model (factory code)	GP01-H62
Size	575*227*150mm
Applicable Cable Dia.	8-21mm
Number of Entry ports	4
Max.Capacity of Splice Tray	72
Max. Capacity	288(Ribbon)
Sealing Method	Mechanical + Screws
Adapter	—
Application	Aerial, Pipeline, Direct-buried

 GP01-H63JM4

 PICTURE

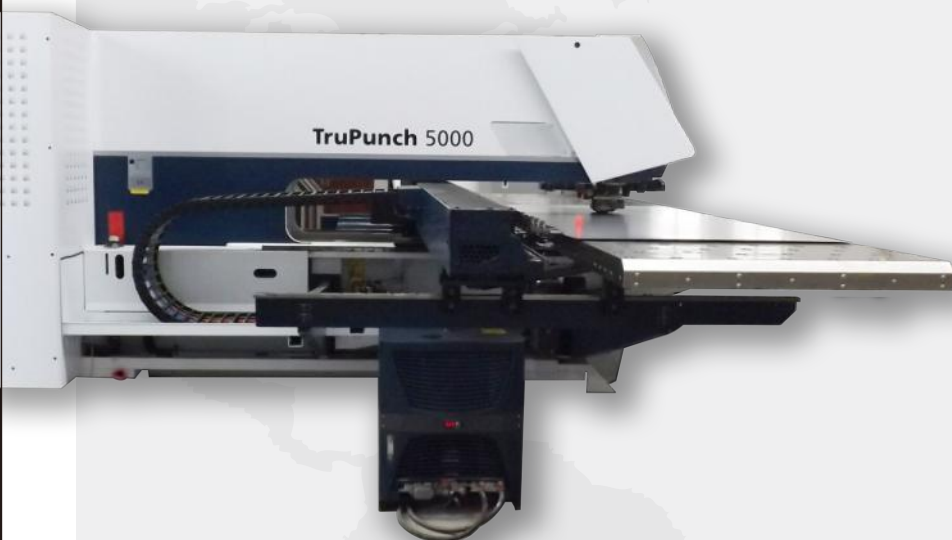


 PARAMETER TABLE

Model (factory code)	GP01-H63
Size	534*215*139mm
Applicable Cable Dia.	8-21mm
Number of Entry ports	4
Max.Capacity of Splice Tray	24
Max. Capacity	144(Ribbon)
Sealing Method	Mechanical + Screws
Adapter	—
Application	Aerial, Pipeline, Direct-buried

# METAL PLATE CENTER

- 2000+  
Set of  
Monthly output of municipal  
garbage bins
- 1000  
Set of  
Monthly output of outdoor  
communication cabinet
- 2000  
Set of  
Monthly output of various IOL cabinets
- 500  
Set of  
Monthly output of medical carts,  
tools and bedding
- 300  
Set of  
Monthly output of AC man-machine  
interface series control cabinet
- 300+  
Set of  
Monthly output of bullet train  
supporting products



## METAL CUTTING AND PUNCHING MACHINES

TRUMPF laser cutting machines imported from Germany x 2sets  
CNC machining equipment x 2sets



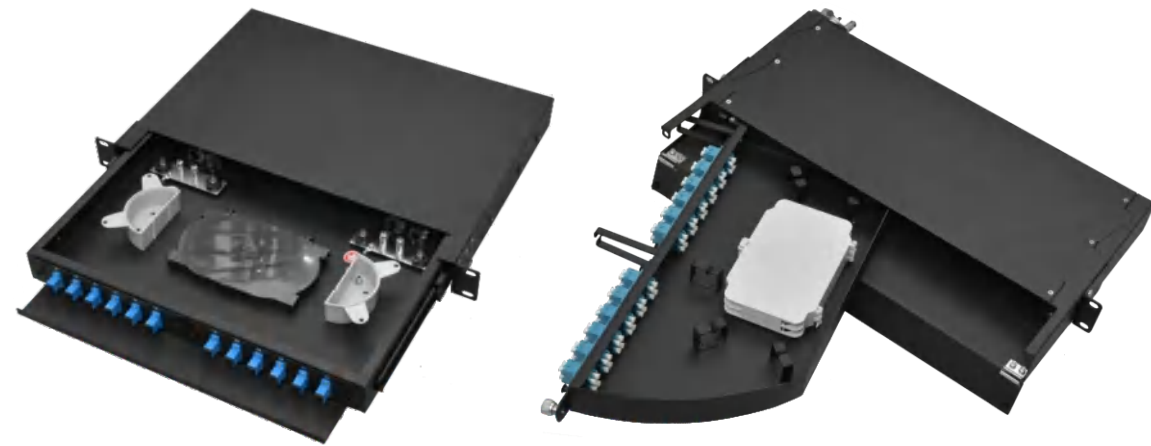
## METAL BENDING MACHINES

Among them, SALVAGNINI(S2+P2) imported from Italy x 1set





# RACK MOUNT FIBER OPTIC TERMINAL BOX



GP436-12C

GP1223-48C

## INTRODUCTION

Used for indoor fiber cable direct splicing or branch splicing to store pigtails and protect splicing joints, simple structure and rational design, available for 19" rack mount installation.

## FEATURES

It can be pulled out for easy operation and standard 19" rack mount installation, high-density capacity.

## TECHNICAL PARAMETER

Operating Temperature: -25°C ~ +55°C  
 Atmospheric Pressure: 70 ~ 106kpa  
 Relative Humidity: ≤95% (+40°C)  
 Voltage Resistance: ≥3000V (DC) /min, no breakdown and flashover  
 Insulation Resistance: ≥2×10<sup>4</sup>MΩ/500V (DC)  
 Connector Attenuation(insert, exchange, reuse): ≤0.5dB. Interconnect Provides an interface between a transmission device and an external optical cable. According to the different application environment, the fiber optic terminal box can be divided into indoor and outdoor.

## PARAMETER TABLE

Model	Dimension-mm (W*D*H)	Capacity	Material	Surface Treatment	Adapter
GP436-12C	430*320*44	12C	Stainless, Cold-Rolled Sheet, Galvanized Sheet	Powder Coating	SC, FC, LC
GP411-24C	430*320*44	24C	Stainless, Cold-Rolled Sheet, Galvanized Sheet	Powder Coating	SC, FC, LC
GP409-48C	430*320*86	48C	Stainless, Cold-Rolled Sheet, Galvanized Sheet	Powder Coating	SC, FC, LC
GP491-96C	430*320*178	96C	Stainless, Cold-Rolled Sheet, Galvanized Sheet	Powder Coating	SC, FC, LC
GP1223-48C	440*310*44	48C	Stainless, Cold-Rolled Sheet, Galvanized Sheet	Powder Coating	SC, FC, LC



# FIBER OPTIC DISTRIBUTION CABINET



GP912-48C

GP1262-48C

GP988-48C

## INTRODUCTION

GP912/GP1262: Suitable for indoor and outdoor, corridor in the connection of lead-in and butterfly cable or connecting the vertical cable and horizontal cable in the building interface equipment. Fiber optic distribution cabinet contains optical terminal, optical splicing or mechanical connection protection unit, available for wall and pole mounting.

GP988: Suitable for indoor, corridor in the connection of lead-in cable and butterfly cable or connecting the vertical cable and horizontal cable in the building interface equipment. Fiber optic distribution cabinet contains optical terminal, optical splicing or mechanical connection protection unit, available for wall mounting.

## FEATURES

GP912/GP1262: Single door, modular design, convenient operation, cable lead-in from down. High density capacity with small overlapping trays.

GP988: Double doors, modular design, convenient operation, the cable lead-in from up and down.

## TECHNICAL PARAMETER

Operating Temperature: GP912/GP1262: -40°C ~ +60°C, GP988: -25°C ~ +55°C  
 Atmospheric Pressure: 70 ~ 106kpa  
 Relative Humidity: ≤95% (+40°C)  
 Voltage Resistance: ≥3000V (DC) /min, no breakdown and flashover  
 Insulation Resistance: ≥2 × 10<sup>4</sup> MΩ/ 500V (DC)  
 Connector Attenuation (insert, exchange, reuse): ≤0.5dB  
 Flame Retardant: meet GB/T 5169.5 - 2008 B1 grade.

## PARAMETER TABLE

Model	Dimension-mm (W*D*H)	Capacity	Material	IP Grade	Surface Treatment	Adapter	Remark
GP912-48C	400*450*120	48C	Stainless, Cold-Rolled Sheet, Galvanized Sheet	IP65	Powder Coating	SC, FC, LC	Outdoor
GP1262-48C	400*400*100	48C	Stainless, Cold-Rolled Sheet, Galvanized Sheet	IP65	Powder Coating	SC, FC, LC	Outdoor
GP988-48C	310*350*80	48C	Stainless, Cold-Rolled Sheet, Galvanized Sheet	IP65	Powder Coating	SC, FC, LC	Indoor



# FIBER OPTIC SPLITTER BOX



GP500-32C



GP1299-32C

## INTRODUCTION

Suitable for optical terminal splicing, splitter, distribution output. Effectively splice, protect and manage fiber cables. It is a necessary equipment in the process of optical network transmission. Available for wall and pole mounting.

## FEATURES

GP500: Single door, modular design, convenient operation, the cable lead-in from down.  
 Gp1299: Separate structure for fiber splicing and drop cable output area, non-interference, no waterproof and dust problems after repeated opening, compact design, optional insertion-type splitter or micro-type splitter.

## TECHNICAL PARAMETER

Operating Temperature: -40°C ~ +60°C  
 Atmospheric Pressure: 70 ~ 106kpa  
 Relative Humidity: ≤95% (+40°C)  
 Voltage Resistance: ≥ 3000V (DC) /min, no breakdown and flashover  
 Insulation Resistance: ≥ 2 × 10<sup>4</sup>MΩ/ 500V (DC)  
 Connector Attenuation (insert,exchange,reuse): ≤0.5dB  
 Flame Retardant: meet GB/T 5169.5 - 2008 B1 grade.

## PARAMETER TABLE

Model	Dimension-mm (L*W*H)	Capacity	Material	IP Grade	Surface Treatment	Adapter
GP500-16C	350*370*100	16C	Stainless Cold-rolled sheet galvanized sheet	IP65	powder coating	SC
GP500-32C	450*370*100	32C	Stainless Cold-rolled sheet galvanized sheet	IP65	powder coating	SC
GP1299-16C	345*292*100	16C	Stainless Cold-rolled sheet galvanized sheet	IP65	powder coating	SC
GP1299-32C	345*445*100	32C	Stainless Cold-rolled sheet galvanized sheet	IP65	powder coating	SC



# FIBER OPTIC SPLICE CABINET

## INTRODUCTION

It is suitable for connection of main cable and distribution cables in outdoor cable access network, can complete the cable lead-in, fixing and stripping & protection, and realize the functions of fiber direct connection, storage, as well as fiber splicing and dispatching. Available for outdoor floor, wall and aerial mounting.

## FEATURES

With modular structure, adopting full frontal operation of lead-in, stripping and dispatching of fiber cable. Integrated splicing and storage module can realize the whole storage and pigtail parking. It can meet the use requirements of ribbon and no-ribbon fiber cables at the same time. Optional SC, FC, LC, adapter, easy and quick operation. Separate route for main and distribution cable, free of jumper cable, convenient for debugging and maintenance.



GXF-DJDK-288C

## TECHNICAL PARAMETER

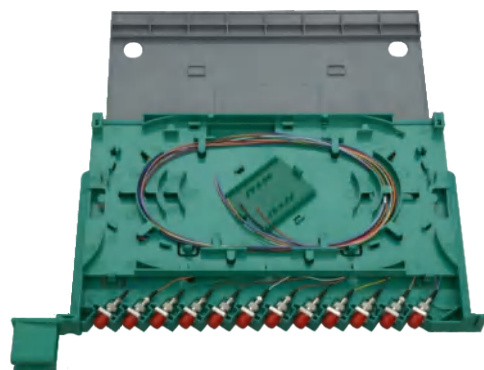
Operating Temperature: -40°C ~ +60°C  
 Atmospheric Pressure: 70 ~ 106kpa  
 Relative Humidity: ≤95% (+40°C)  
 Voltage Resistance: ≥ 3000V (DC) /min, no breakdown and flashover  
 Insulation Resistance: ≥ 2 × 10<sup>4</sup>MΩ/ 500V (DC)  
 Connector Attenuation (insert,exchange,reuse) : ≤0.5dB  
 Flame Retardant: meet GB/T 5169.5 - 2008 B1 grade.

## PARAMETER TABLE

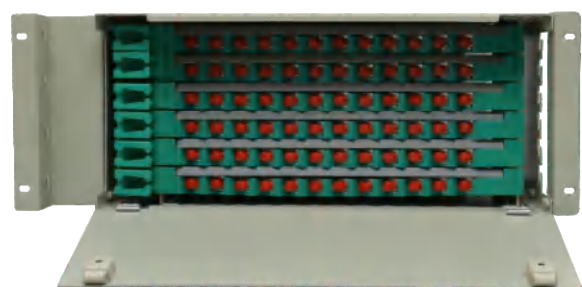
Model	Dimension (W*D*H)	Capacity	Material	IP Grade	Surface Treatment	Adapter	Remark
GXF-DJDK-144	570*320*1030	144C	Stainless,Cold-Rolled Sheet, Galvanized Sheet,SMC	IP65	Powder Coating	SC, FC, LC	With splice tray
GXF-DJDK-288	770*340*1446	288C	Stainless,Cold-Rolled Sheet, Galvanized Sheet,SMC	IP65	Powder Coating	SC, FC, LC	With splice tray
GXF-DJQD-576	770*560*1460	576C	Stainless,Cold-Rolled Sheet, Galvanized Sheet,SMC	IP65	Powder Coating	SC, FC, LC	With splice tray
GXF-DJDK-W-144	550*295*1035	144C	Stainless,Cold-Rolled Sheet, Galvanized Sheet,SMC	IP65	Powder Coating	SC	Available for splitter
GXF-DJDK-W-288	750*320*1450	288C	Stainless,Cold-Rolled Sheet, Galvanized Sheet,SMC	IP65	Powder Coating	SC	Available for splitter
GXF-DJQD-W-576	760*580*1461	576C	Stainless,Cold-Rolled Sheet, Galvanized Sheet,SMC	IP65	Powder Coating	SC	Available for splitter



# ODF UNIT



RJP-02L-12C



GP714-72C

## INTRODUCTION

Used in 19" cabinet or frame, or used alone in an ODF, also can be installed with digital distribution units and audio distribution units in the same cabinet or frame to form a comprehensive distribution frame, 19" rack mounting.

## FEATURES

19" modular design with integrated splicing tray for quick plug-in installation.

## TECHNICAL PARAMETER

Operating Temperature: -25°C ~ +55°C  
 Atmospheric Pressure: 70 ~ 106kpa  
 Relative Humidity: ≤95% (+40°C)  
 Voltage Resistance: ≥ 3000V (DC) /min, no breakdown and flashover  
 Insulation Resistance: ≥2×10<sup>4</sup>MΩ/500V (DC)  
 Connector Attenuation(insert, exchange, reuse) ≤0.5dB.  
 Flame Retardant: meet GB/T 5169.5 - 2008 B1 grade.

## PARAMETER TABLE

Model	Dimension-mm (W*D*H)	Capacity	Material	Surface Treatment	Adapter
GP711	430*280*44	12C	Stainless, Cold-Rolled Sheet, Galvanized Sheet	Powder Coating	SC, FC, LC
GP712	430*280*88	24C	Stainless, Cold-Rolled Sheet, Galvanized Sheet	Powder Coating	SC, FC, LC
GP713	430*280*132	48C	Stainless, Cold-Rolled Sheet, Galvanized Sheet	Powder Coating	SC, FC, LC
GP714	430*280*176	72C	Stainless, Cold-Rolled Sheet, Galvanized Sheet	Powder Coating	SC, FC, LC
GP715	430*280*228	96C	Stainless, Cold-Rolled Sheet, Galvanized Sheet	Powder Coating	SC, FC, LC
GP716	430*280*330	144C	Stainless, Cold-Rolled Sheet, Galvanized Sheet	Powder Coating	SC, FC, LC



# OUTDOOR ASSEMBLED CABINET



HW123-40U

## INTRODUCTION

Suitable for outdoor environment, such as roadside, park, roof, mountain and flat ground installation, can be installed with base station, power, battery, temperature control, transmission device and other supporting equipment, or reserved for the above equipment installation space and heat exchange capacity. Provides reliable mechanical and environmental protection for the normal operation of internal devices. available for outdoor floor or aerial installation.

## FEATURES

Internal 19" structure, flexible combination, temperature control by subdivision, environmental protection, high integration, reduce footprint, rapid deployment and installation, air conditioning, switching power supply, battery, ODF unit can be configured by request.

## TECHNICAL PARAMETER

Operating Temperature: - 40°C ~ + 55°C  
 Atmospheric Pressure: 70 ~ 106kpa  
 Relative Humidity: 5%-95%  
 Voltage Resistance: ≥ 3000V (DC) /min, no breakdown and flashover  
 Insulation Resistance: ≥ 2 × 10<sup>4</sup> MΩ/ 500V (DC)  
 Flame Retardant: meet GB/T 5169.5 - 2008 B1 grade.

## PARAMETER TABLE

Model	Dimension (W*D*H)	Capacity	Material	IP Grade	Surface Treatment	Air Conditioner	Switching Power Supply	Battery	Optional Components
HW123	900*900*2200	40U	Stainless Cold-Rolled Sheet Galvanized Sheet	IP65	Powder Coating	Embedded Air Conditioner 1.5Kw	48V/200A	Lithium-Iron Battery 48V/100Ah*2	Power And Environment Monitoring System ODF Unit,PDU
HW127	2200*1200*2200	80U				Rack-mounted Air Conditioner 6.5Kw	48V/400A	Lithium-Iron Battery 48V/100Ah*5	
HW128	3200*1200*2200	120U				Rack-mounted Air Conditioner 6.5Kw	48V/600A	Lithium-Iron Battery 48V/100Ah*8	



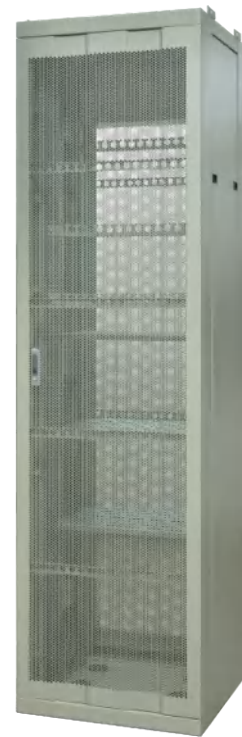
## MODF

### INTRODUCTION

It is used for the equipment cabinet in the communication room, which can integrate optical unit, digital unit, audio module and other units into one. As the physical protection and support platform for the equipment in the communication room, it provides a solid physical structure, good cable management space, power support, and excellent thermal management. Fiber cable routing can be optimized to save room space and engineering investment.

### FEATURES

High-density dissipation mesh door, cabinet ventilation rate more than 80%, meet energy saving and emission reduction requirement, detachable side door for easy operation. The cabinet has a standard 19" installation structure and reasonable cable arrangement. Fans, trays, and power units can be configured by request. Floor mounting installation.



### TECHNICAL PARAMETER

Operating Temperature: -5°C ~ +40°C  
 Atmospheric Pressure: 70 ~ 106kpa  
 Relative Humidity: ≤85%(+30°C)  
 Voltage Resistance: ≥3000V (DC) /min, no breakdown and flashover  
 Insulation Resistance: ≥2 × 10<sup>4</sup> MΩ/500V (DC)  
 Flame Retardant: meet GB/T 5169.5 - 2008 B1 grade

### PARAMETER TABLE

Model	Dimension-mm (W*D*H)	Material	Surface Treatment	Remark
32U	600*600*1600	Stainless Cold-Rolled Sheet Galvanized Sheet	Powder Coating	Available for 19" equipment
42U	600*600*2000			
47U	600*600*2200			
52U	600*600*2400			
56U	600*600*2600			



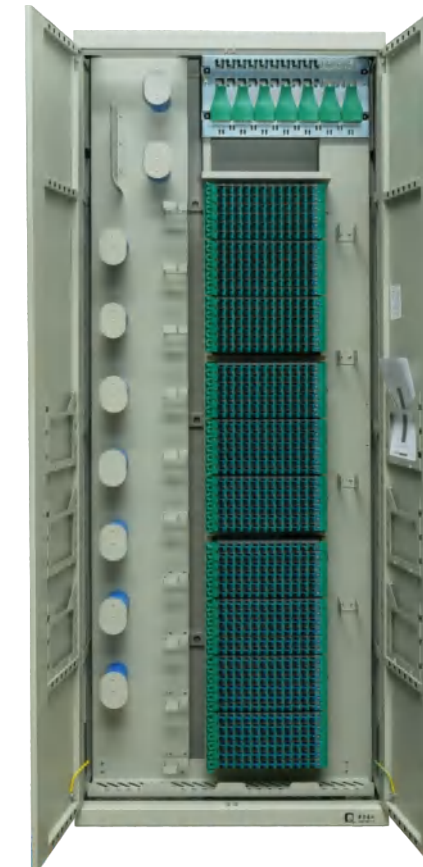
## SINGLE-SIDE ODF

### INTRODUCTION

Used for optical terminal splicing, connector installation, fiber routing alignment, excess pigtail storage and fiber protection, can easily realize the connection, distribution and dispatching of optical route.

### FEATURES

Modular structure, single-side operation, integrated splicing and storage module for the whole pigtail storage; It can meet use requirements of ribbon and non-ribbon cable at the same time. Optional SC, FC, LC adapter, easy and quick operation; It can realize the functions of external fiber optic cable splicing, terminating and dispatching on one ODF platform.

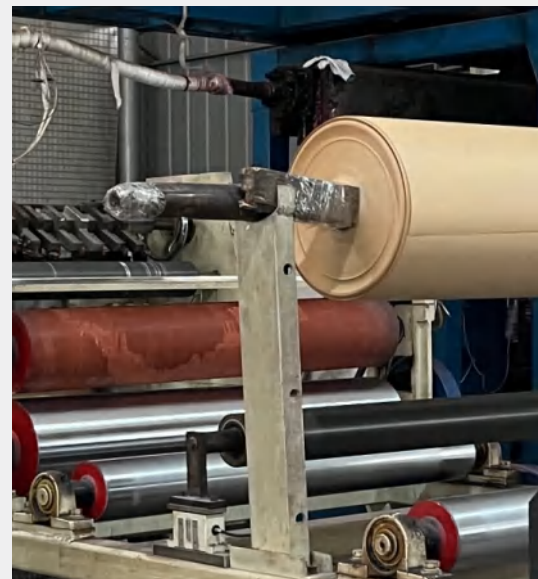
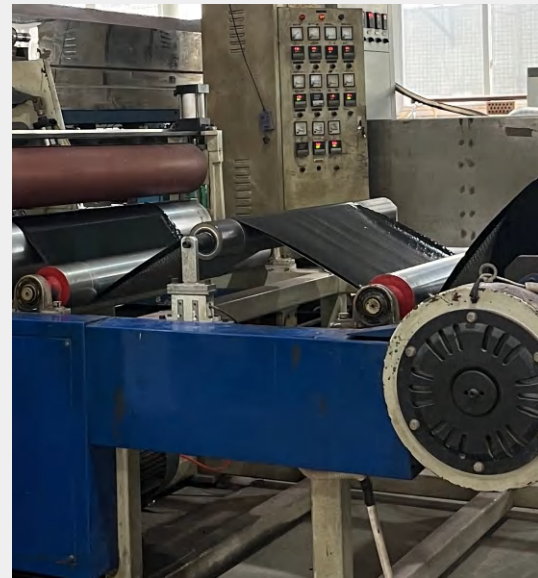


### TECHNICAL PARAMETER

Operating Temperature: -25°C ~ +55°C  
 Atmospheric Pressure: 70 ~ 106kpa  
 Relative Humidity: ≤93% (+40°C)  
 Voltage Resistance: ≥3000V (DC) /min, no breakdown and flashover  
 Insulation Resistance: ≥2 × 10<sup>4</sup> MΩ/500V (DC)  
 Connector Attenuation (insert, exchange, reuse): ≤0.5dB  
 Flame Retardant: meet GB/T 5169.5 - 2008 B1 grade

### PARAMETER TABLE

Dimension (W*D*H)	Capacity	Material	IP Grade	Surface Treatment	Adapter
2600*840*300	864C	Stainless Cold-rolled sheet galvanized sheet	-	powder coating	SC,FC,LC
2600*600*300	576C				
2200*840*300	720C				
2200*600*300	504C				
2000*840*300	576C				
2000*600*300	360C				



## PRODUCTION EQUIPMENT

Advanced Fiber Mesh Textile Machine  
Automatic Thickness Measuring Compound Extrusion Set  
Hot Melt Adhesive Coating Set  
Continuous Tube Extrusion And Expansion Set, and  
Other Key Production Equipment

## HEAT SHRINKABLE SLEEVE

2000  
Square meter  
Daily Production Capacity

Max. Width 860mm  
Max. Length 1500mm

## HEAT SHRINKABLE TUBE

4000 ~ 8000  
Meter  
Daily Production Capacity

Glue Coating Method  
Flat Glue、Spiral Glue  
To Meet Different Requirement



## RSBJ(F)500 SERIES

Heat shrinkable joint closure for non-pressurized telephone cable networks



### INTRODUCTION

1. Be made of low density crosslinked polyethylene material, which is formed by extrusion and composite several times.
2. Suitable for aerial, pipeline and direct buried situation.
3. Special polyethylene material with high strength mechanical properties
4. Suitable for connecting oil-filled and non-oil-filled cables with polyethylene and metal sheathed cable.
5. Optional branching system for cable connection and dispatching, max. 4 cables.

### FEATURES

1. Widely used in aerial, pipeline, and direct buried situation, it can work for a long time in -45°C to +65°C environment.
2. Composite superstrength structure, secondary sealing, high mechanical strength, tear resistance, heat shrinkage ratio, and excellent weather resistance.
3. Sealing with high quality imported hot melt adhesive, with super bonding ability, excellent leakage prevention, moisture-proof and pressure bearing ability. Softening point of glue up to 70°C to adapt to high ambient temperature area
4. The white line inside the rail and the heat sensitive paint on the outer surface can guide proper operation.
5. Suitable for different cables.
6. Easy and fast installation;

### APPLICATION

Specially used for connecting and protecting non-pressurized telephone cable networks

### PARAMETER TABLE

Description	Splice bundle dia. Max	Single cable dia. Min	Sheath opening Length	Applicable cable pairs	
				0.4mm	0.5mm
RSBJ(F)500 43/8-200	43	8	200	10-30	10-20
RSBJ(F)500 43/8-500			500	50-100	20-50
RSBJ(F)500 75/15-500	75	15	500	200-300	50-200
RSBJ(F)500 92/25-500	92	25	650	400-600	200-500
RSBJ(F)500 92/25-650			500	600-1000	600-1000
RSBJ(F)500 160/42-500	160	42	500	1200-1600	1000-1600
RSBJ(F)500 160/42-720			720	1800-3600	1600-2400
RSBJ(F)500 200/50-500	200	50	500	1800-3600	1600-2400
RSBJ(F)500 200/50-720			420		



## RSBJ(F)550 SERIES

Heat shrinkable joint closure for non-pressurized telephone cable networks



### INTRODUCTION

1. Be made of low density crosslinked polyethylene material, which is formed by extrusion and composite several times.
2. Suitable for aerial, pipeline and direct buried situation.
3. Special polyethylene material with high strength mechanical properties
4. Suitable for connecting oil-filled and non-oil-filled cables with polyethylene and metal sheathed cable.
5. Optional branching system for cable connection and dispatching, max. 4 cables.

### FEATURES

1. Widely used in aerial, pipeline, and direct buried situation, it can work for a long time in -45°C to +65°C environment.
2. Composite superstrength structure, secondary sealing, high mechanical strength, tear resistance, heat shrinkage ratio, and excellent weather resistance.
3. Sealing with high quality imported hot melt adhesive, with super bonding ability, excellent leakage prevention, moisture-proof and pressure bearing ability. Softening point of glue up to 70°C to adapt to high ambient temperature area
4. The white line inside the rail and the heat sensitive paint on the outer surface can guide proper operation.
5. Suitable for different cables.
6. Easy and fast installation;

### APPLICATION

Specially used for connecting and protecting non-pressurized telephone cable networks

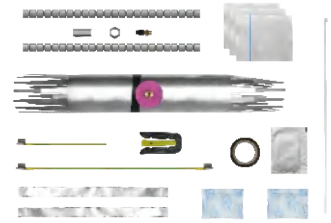
### PARAMETER TABLE

Description	Splice bundle dia. Max	Single cable dia. Min	Sheath opening Length	Applicable cable pairs	
				Wire dia. 0.4mm	Wire dia. 0.5mm
RSBJ(F)550 43/8-200	43	8	200	10-30	10-20
RSBJ(F)550 43/8-500			500	50-100	20-50
RSBJ(F)550 75/15-500	75	15	500	200-300	50-200
RSBJ(F)550 92/25-500	92	25	650	400-600	200-500
RSBJ(F)550 92/25-650			500	600-1000	600-1000
RSBJ(F)550 122/30-500	122	30	500	600-1000	600-1000
RSBJ(F)550 122/30-650			650	1200-1600	1000-1600
RSBJ(F)550 160/42-500	160	42	500	1200-1600	1000-1600
RSBJ(F)550 160/42-720			720	1800-3600	1600-2400
RSBJ(F)550 200/50-500	200	50	500	1800-3600	1600-2400
RSBJ(F)550 200/50-720			420		



## RSBAQ(F) 1000 SERIES

Heat shrinkable joint closure for pressurized telephone cable networks



### INTRODUCTION

1. Be made of low density crosslinked polyethylene material, which is formed by extrusion and composite several times.
2. Suitable for aerial, pipeline and direct buried situation.
3. Special polyethylene material with high strength mechanical properties
4. Suitable for connecting oil-filled and non-oil-filled cables with polyethylene and metal sheathed cable.
5. Optional branching system for cable connection and dispatching, max. 4 cables.
6. Test valve for air-pressure meter or internal inflation test.

### FEATURES

1. Widely used in aerial, pipeline, and direct buried situation, it can work for a long time in -45°C to +65°C environment.
2. Composite superstrength structure, secondary sealing, high mechanical strength, tear resistance, heat shrinkage ratio, and excellent weather resistance.
3. Sealing with high quality imported hot melt adhesive, with super bonding ability, excellent leakage prevention, moisture-proof and pressure bearing ability. Softening point of glue up to 70°C to adapt to high ambient temperature area
4. The white line inside the rail and the heat sensitive paint on the outer surface can guide proper operation.
5. Suitable for different cables.
6. Easy and fast installation;

### APPLICATION

Specially used for connecting and protecting pressurized telephone cable networks

### PARAMETER TABLE

Description	Splice bundle dia. Max	Single cable dia. Min	Sheath opening Length	Applicable cable pairs	
				Wire dia. 0.4mm	Wire dia. 0.5mm
RSBAQ(F)1000 43/8-200	43	8	200	10-30	
RSBAQ(F)1000 43/8-350			350		
RSBAQ(F)1000 43/8-500			500		
RSBAQ(F)1000 62/15-350	62	15	350	100-200	
RSBAQ(F)1000 62/15-500			500		
RSBAQ(F)1000 62/15-650			650		
RSBAQ(F)1000 92/30-350	92	30	350	400-600	
RSBAQ(F)1000 92/30-500			500		
RSBAQ(F)1000 92/30-650			650		
RSBAQ(F)1000 122/38-300	122	38	300	600-1000	
RSBAQ(F)1000 122/38-500			500		
RSBAQ(F)1000 122/38-650			650		
RSBAQ(F)1000 160/55-500	160	55	500	1200-2000	
RSBAQ(F)1000 160/55-650			650		
RSBAQ(F)1000 160/55-720			720		
RSBAQ(F)1000 200/65-500	200	65	500	2400-3200	2400
RSBAQ(F)1000 200/65-720			720		



## Heat Shrinkable Tube



### INTRODUCTION

1. Use low density crosslinked polyethylene material through extrusion, crosslinked irradiation, expansion, gluing and other processes;
2. Special polyethylene material with high strength mechanical properties;

### FEATURES

1. Initial shrinkage temperature
2. Full shrinkage temperature
3. Operating temperature
4. UV resistant and soft
5. Environmental protection standard
6. Shrinkage ratio

### APPLICATION

Mainly used for sealing and waterproof, anticorrosion, air leakage and insulation protection. Also mainly used in the scenarios that need to be sealed, such as wire connection of electronic equipment, automobile wiring, household appliance wiring, cable and cable branching, metal pipeline, cable repair, submersible pump wiring, etc.

### PARAMETER TABLE

Description	Inner Dia. (mm)	Size After Full Shrinkage (mm)			Standard Package
		Inner Dia.	Average Wall Thickness	Glue Thickness	
Φ12.7	≥12.7	≤4.2	1.55±0.40	0.75±0.20	1.22
Φ15	≥15	≤5.2	1.65±0.40	0.75±0.20	1.22
Φ19	≥19	≤6.3	1.90±0.40	0.85±0.20	1.22
Φ25	≥25	≤7.5	2.00±0.40	0.90±0.20	1.22
Φ30	≥30	≤8.0	2.05±0.40	0.90±0.20	1.22
Φ33	≥33	≤8.0	2.05±0.40	0.90±0.20	1.22
Φ45	≥45	≤12	2.5±0.40	0.90±0.20	1.22
Φ65	≥65	≤15	2.5±0.40	0.90±0.20	1.22

# MOLDING





# EXPERIMENTAL CENTER

Japan Mitutoyo altimeter



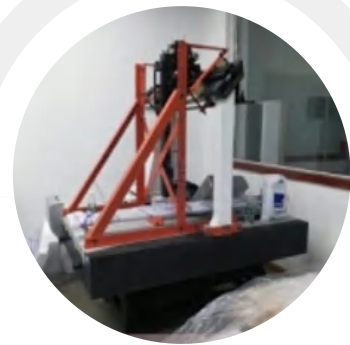
Image measuring instrument



Micron outside micrometer



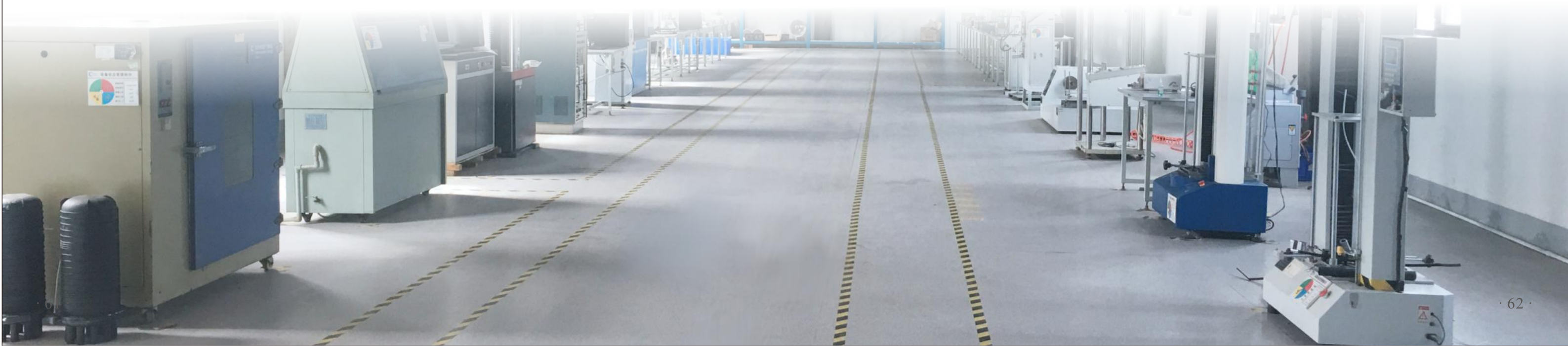
Edwards Three Coordinates



Inside micrometer



Inside diameter plug gauge



<<<  
COOPERATION  
WITH US

COOPERATION

COOPERATION  
WITH US

LET'S WORK TOGETHER TO WIN THE FUTURE.

Honesty, cooperation  
and sharing honor

Brand strategy serves the whole world

Tel: +86-15902830005  
+86-28-83080722

E-mail: [overseas@qhtele.com](mailto:overseas@qhtele.com)

Web: <http://www.qhtele.com>

Post code: 610500

Address: No.666 Xingye Road, Xindu Town, Xindu District, Chengdu, Sichuan  
Chengdu Qianhong Communication Co., Ltd.